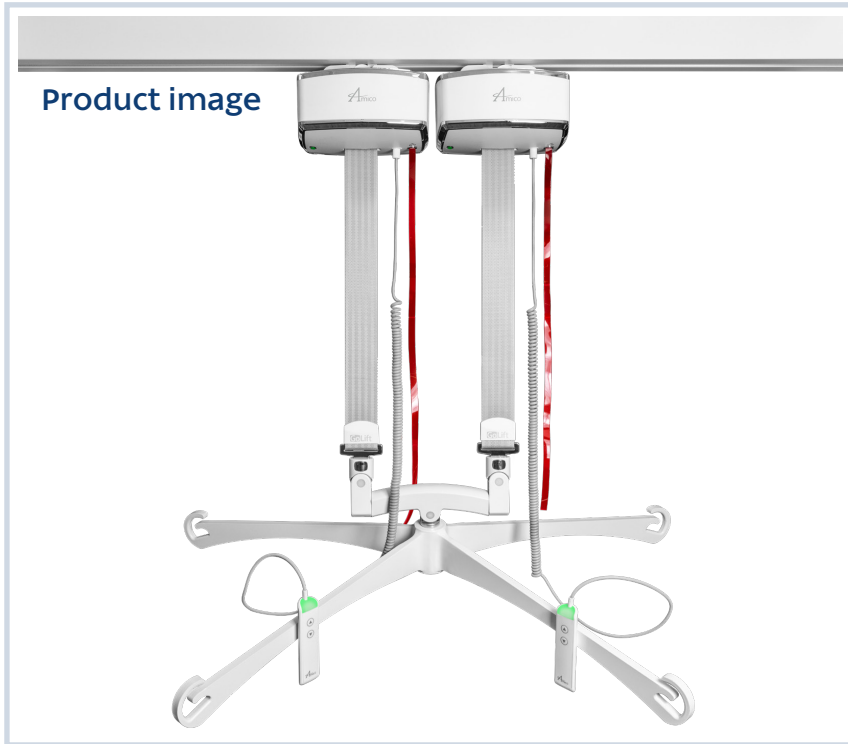


Product Specification Sheet

GoLift 1000

GO-LIFT-1000-3.3AH



Description

The GoLift 1000 - a powerful product catered to Bariatric patients. Two compact GoLift 700 systems designed for an increased lifting capacity of 1000lbs (454kg).

Features

- Four point carry bar
- Emergency stop
- Emergency lowering
- Battery status indicators
- LED light indicators
- Wired magnetic hand control
- Infection control features
- Manual emergency lowering
- Quick connect carry bar

Warranty

3 years

Specifications

- Height range: 610mm - 910mm
- Physical dimension length: 394mm
- Physical dimension width: 197mm
- Physical dimension height: 108mm
- Unit weight: 9kg
- SWL: 454kg

