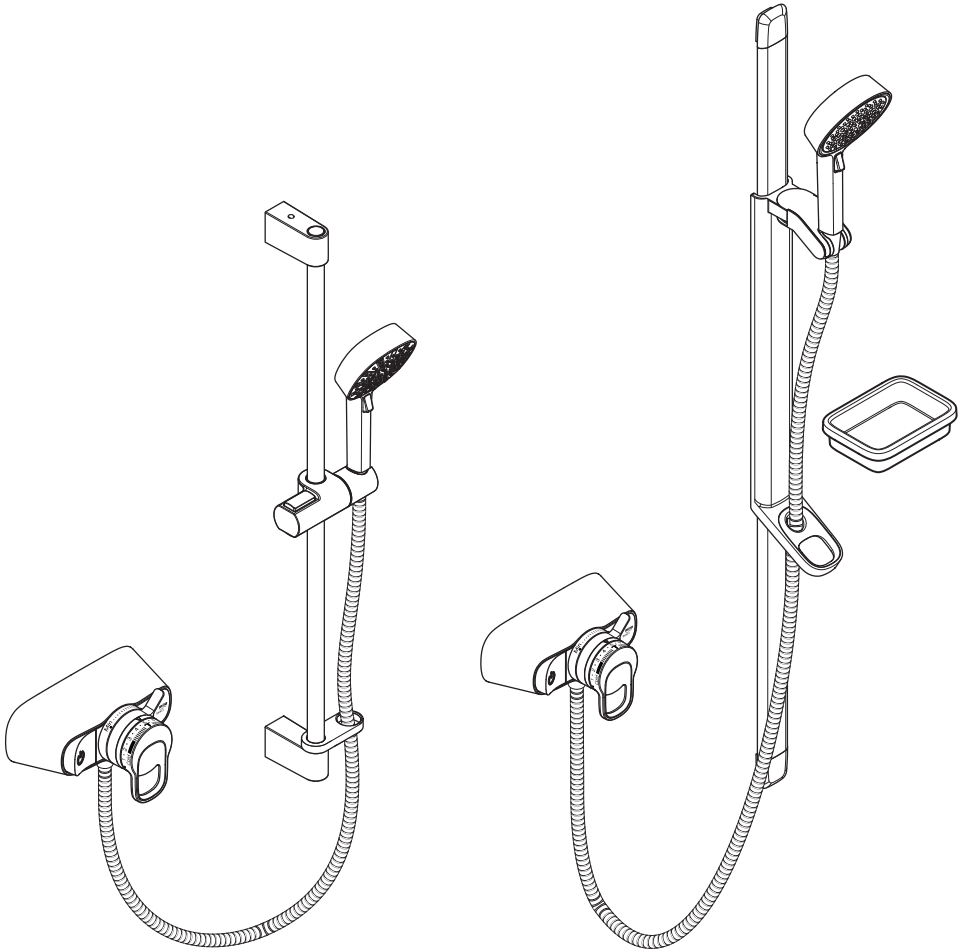


Mira Select Thermostatic Mixing Valve Installation and User Guide



For SPARES,
ADVICE or REPAIRS
please call us free
on 0800 001 4040
(UK only)

mira
SHOWERS

Introduction

Thank you for choosing a Mira shower. To enjoy the full potential of your new shower, please take time to read this guide thoroughly, and keep it handy for future reference. Products manufactured by Kohler Mira Ltd are designed to be safe, provided that they are installed, used, and maintained in good working order, in accordance with our instructions and recommendations.

Follow all warnings, cautions and instructions contained in this guide, and on, or inside the shower. This guide is also available in digital format from our website or by contacting customer services.

Type 2 and Type 3 Valves

This product has been certified for use in UK care premises as a Type 3 valve under the BUILDCERT TMV3 scheme. This product has also been certified as a Type 2 valve under the BUILDCERT TMV2 scheme. For care* installations refer to the TMV3 requirements manual. This product also complies with the Water Supply (water fittings) Regulations 1999.

For further information on Type 2 or Type 3 Valves, refer to the TMV2 or TMV3 Requirements Manual (available to view or download on our website www.mirashowers.co.uk).

*Care applications are aged person facilities, residential care homes, etc. and any other application where the user is similarly at risk. This product is not suitable for use in hospitals. The approved designation for this product is listed in the table below. Mira Mixer Showers covered by this guide:

Product Code	Model Number	Colour	Type 2 & 3 Designation
B14C	Mira Select Valve Only	Satin Chrome	HP-S
B14C	Mira Select Single Outlet		
B14C	Mira Select Flex		

Guarantee

For **domestic installations**, Mira Showers guarantee the product against any defect in materials or workmanship for a period of **five** years from the date of purchase (shower fittings for one year).

For **non-domestic installations**, Mira Showers guarantee the product against any defect in materials or workmanship for a period of **one** year from the date of purchase.

Failure to follow the instructions provided with the shower will invalidate the guarantee.

For Terms and Conditions refer to the '**Activating Your Free Guarantee and Customer Service**' pages.

Design Registration

6274070 - 6274084

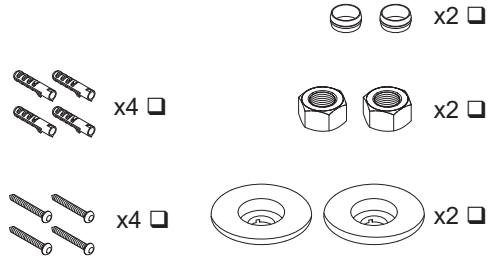
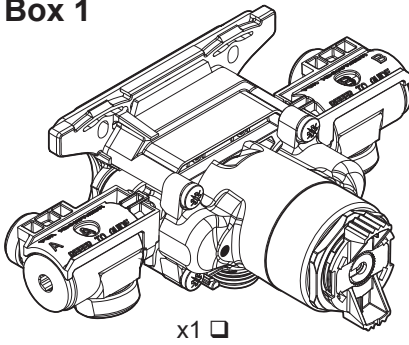
Recommended Usage

Domestic	✓	Heavy Commercial	✗
Light Commercial	✓	Healthcare	✗

Pack Contents

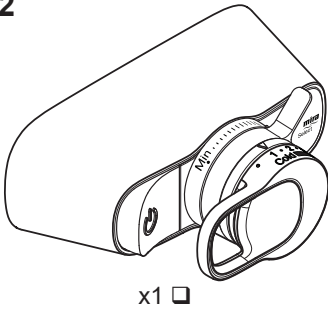
Mira Select Valve

Box 1



Component Pack

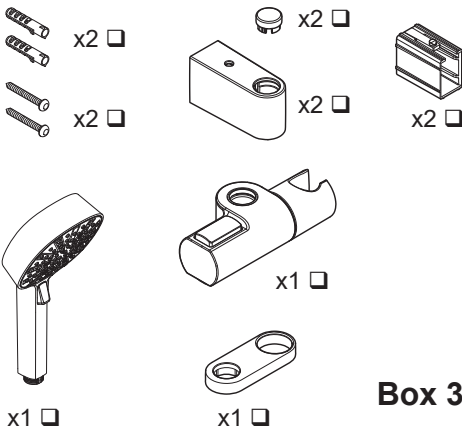
Box 2



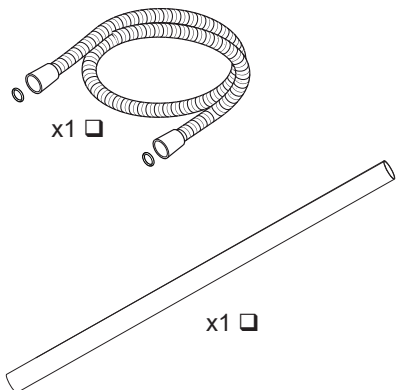
Documentation:

- Warnings and Cautions Guide
- Quick Installation and User Guide
- Installation Template

Mira Single Outlet Shower Fittings

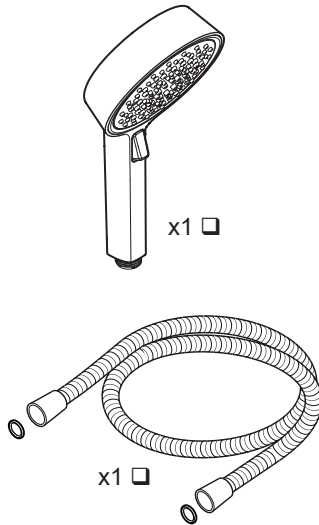
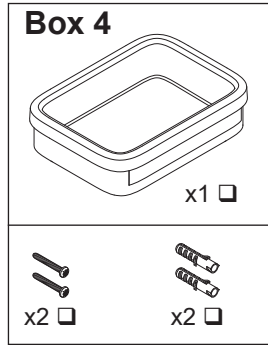
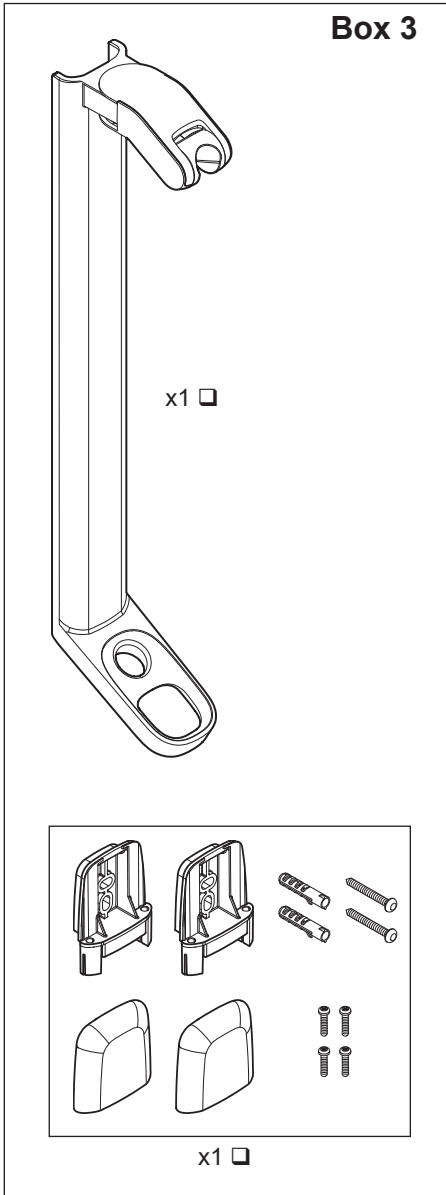


Box 3



Pack Contents

Mira Select Flex Shower Fittings



Safety Information

WARNING! This shower can deliver scalding temperatures. For continued safe operation, follow all instructions, warnings and cautions contained in this guide and on or inside the shower. Periodic maintenance may be required to keep the product in good working order.

The function of a thermostatic mixing valve is to deliver water consistently at a safe temperature. In keeping with every other mechanism, it cannot be considered as functionally infallible and as such, cannot totally replace a supervisor's vigilance where that is necessary. Provided it is installed, commissioned, operated, and maintained within manufacturers recommendations, the risk of failure, if not eliminated, is reduced to the minimum achievable.

PLEASE OBSERVE THE FOLLOWING TO REDUCE THE RISK OF INJURY:

Installing the Shower

1. Installation of the shower must be carried out in accordance with the instructions by qualified, competent personnel. Read all instructions before installing the shower.
2. **DO NOT** install the shower where it may be exposed to freezing conditions. Ensure that any pipework that could become frozen is properly insulated.
3. **DO NOT** perform any unspecified modifications to the shower or its accessories. When servicing only use genuine Kohler Mira replacement parts.
4. If the shower is dismantled during installation or servicing then, upon completion, an inspection must be made to ensure all connections are tight and that there are no leaks.
5. The product may be TMV3 or TMV2 approved. Refer to the installation guide for information regarding product type and installation suitability.

Using the Shower

6. The shower must be operated and maintained in accordance with the requirements of the installation and user guides. Make sure you read all this information fully and understand how to operate the shower before use. Retain all guides for future reference.
7. **DO NOT** switch the shower on if there is a possibility that the water in the shower unit or fittings is frozen.
8. The water supplies to this product must be isolated if the product is not to be used for a period of time. For example, When away on holiday. If the product or pipework is at risk of freezing during this period, they should also be drained of water.
9. Persons (including children) with reduced physical, sensory, or mental capabilities, or lack of experience and knowledge, can use the shower if they are given supervision or instruction concerning the use of the appliance by a person responsible for their safety.
10. Anyone who may have difficulty understanding or operating the controls of any shower should be attended whilst showering. Particular consideration should be given to the young, the elderly, the infirm or anyone inexperienced in the correct operation of the controls.
11. **DO NOT** allow children to play with the shower, clean or perform any user maintenance to the shower or it's fittings e.g. Handset and hose.
12. Always check the water temperature is safe before entering the shower.
13. **DO NOT** adjust the temperature control rapidly while using the shower.
14. **DO NOT** switch the shower off and back on while standing in the water flow. Use caution when altering the water temperature while in use and always check the temperature before continuing to shower.
15. **DO NOT** restrict the water flow from the shower outlet, temporarily bending the shower hose or blocking the shower head while in use could cause a hot shot of water to be discharged.

16. When adjusting the handset mode, point handset away from body and make sure the water temperature has stabilised before continuing to shower.
17. The showerheads must be descaled regularly and hose checked for blockage or damage. Blocked showerheads or hose will affect showering performance.
18. **DO NOT** connect the outlet of the shower to any tap, control valve, trigger operated handset or showerhead other than those specified for use with this shower. Only Kohler Mira recommended accessories should be used.
19. For products with multiple shower outlets, the diverters or on/off controls must be regularly operated to ensure the correct operation of the outlet.
20. This appliance is intended to be permanently connected to the water supplies and not connected by flexible hoses.

If you are unsure about any of these Warnings & Cautions and require further explanation contact Mira Customer Services.

Specifications

Pressures	
Maximum Static Pressure	1000 kPa (10 bar)
Maximum Maintained Pressure	500 kPa (5 bar)
Minimum Maintained Pressure (Gas Water Heater)	100 kPa (1 bar) (for optimum performance supplies should be nominally equal)
Minimum Maintained Pressure (Gravity System)	10 kPa (0.1 bar) (0.1 bar = 1 Metre head from cold tank base to shower handset outlet)
Temperatures	
Close temperature control	20°C - 50°C
Optimum Thermostatic Control Range	35°C to 45°C (achieved with supplies of 15°C cold, 65°C hot and nominally equal pressures)
Recommended Hot Supply	60°C to 65°C
Minimum Hot Water Supply Temperature	55°C (Note: The mixing valve can operate at temperatures up to 85°C for short periods without damage. However for safety reasons, it is recommended that the maximum hot water temperature is limited to 65°C).
Minimum Recommended Differential between Hot Supply and Outlet Temperature	12°C at desired flow rates
Cold Water Range	1 - 25°C
Plumbing Connections	
Hot: Left	15 mm compression fitting
Cold: Right	15 mm compression fitting
Outlet:	Single Outlet = 1/2" BSP Male to flexible house

- **Important!** This product is not suitable to use with any other pipe sizes.

Thermostatic Shut-down

- For safety and comfort the thermostat will shut off the mixing valve **within 2 Seconds** if either supply fails (achieved only if the blend temperature has a minimum differential of 12°C from either supply temperature).

Suitable Plumbing Installations

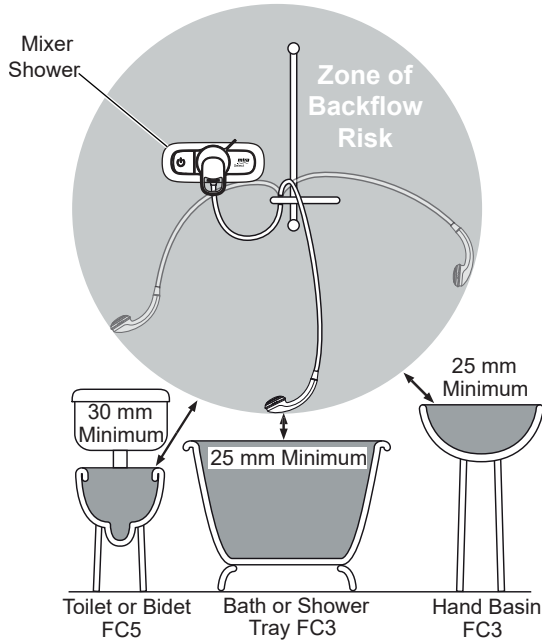
The Thermostatic Mixer can be installed with all systems with balanced pressures. Mixed gravity and mains supplies are not recommended.

Installation

General

1. Installation of the shower must be carried out in accordance with these instructions by qualified, competent personnel.
2. The plumbing installation must comply with all national or local water regulations and all relevant building regulations, or any particular regulation or practice specified by the local water supply company.
3. Make sure all pressures and temperatures comply with the requirements of the shower. See '**Specifications**'.
4. Full bore/non restrictive servicing valves must be fitted in a readily accessible position adjacent to the shower to facilitate maintenance of the shower.
DO NOT use a valve with a loose washer plate (jumper) as this can lead to a buildup of static pressure.
5. **DO NOT** apply excessive force to plumbing connections; always provide mechanical support when making plumbing connections. Any soldered joints should be made before connecting the shower.
6. Pipework dead-legs should be kept to a minimum.
7. **DO NOT** install the shower unit in a position where access for maintenance is restricted.
8. The shower must be fitted to a waterproof, flat and even wall surface. The four screws and wall plugs supplied are suitable for most solid wall installations. Alternative fixing screws for panel structures are not supplied. Use all four fixing points to secure the shower, be sure to use fixings appropriate for the chosen wall structure.
9. Pipework enters the product from the rear through a hole in the wall, provision must be made to prevent water ingress back into the wall structure.
10. Position the shower unit where the controls are at a convenient height for the user. Position the showerhead so that the water sprays in line with the bath or across the opening of a shower cubicle. The installation must not cause the shower hose to be kinked during normal use.
11. The water supplies to this product should be isolated if the product is not to be used for a long period of time. If the product or pipework is at risk of freezing during this period they should also be drained of water.

12. The position of the shower and shower fittings must provide a minimum air gap of 25 mm between the showerhead and the spill over level of any bath, shower tray or basin. There must be a minimum distance of 30 mm between the showerhead and the spill over level of any toilet, bidet or other appliance with a Fluid Category 5 backflow risk.



Note: For safety, in case minimum air gaps are not achieved this product is fitted with double check valves.

In low pressure installation this will reduce flow.

The check valve in the handset can be removed to achieve improved flow. However, if removed an alternative hose retaining ring is required. These are available through Mira Customer Services.

For Fluid Category 5, double checkvalves are not suitable.

Installation

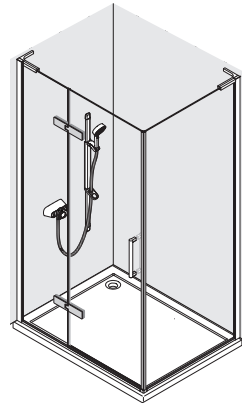
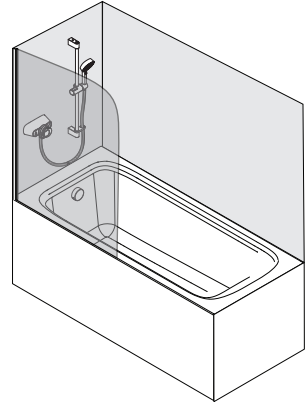
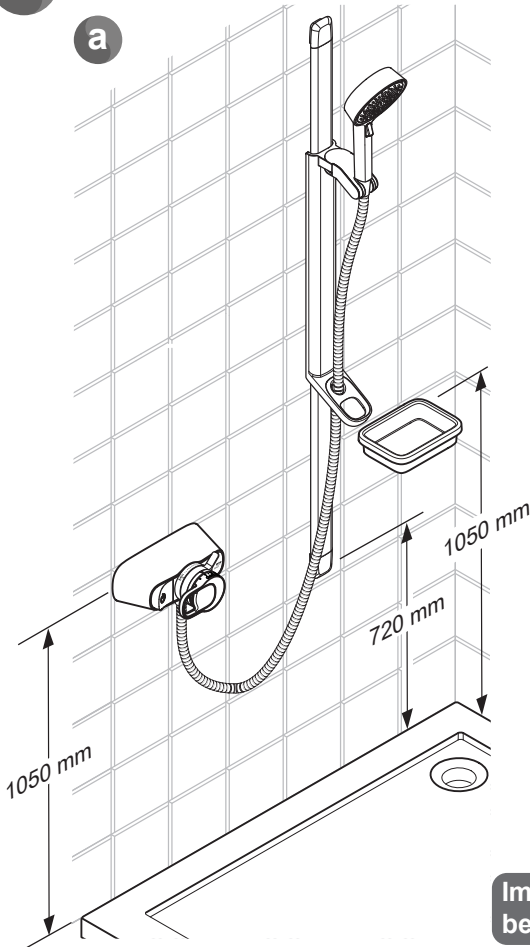


Scan this QR code to go to installation video.

Note: If replacing the existing product with Mira Select, continue step (2) from page 13.

1 New Installation

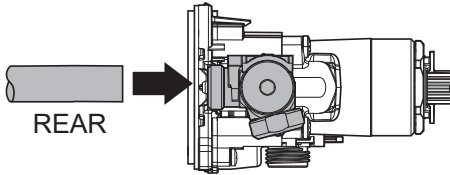
a



Important! Isolate the water supplies before installing the shower.

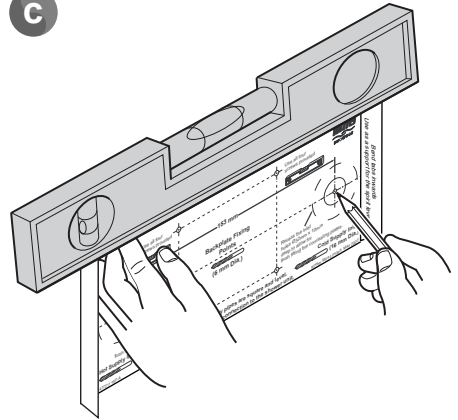
Note: Recommended installation height for the valve is 1050 mm, 720 mm for shower fittings and 1050 mm for soap dish from shower tray surface in new installations. Installer can choose a preferred location.

Decide on a suitable position for the shower unit and fittings.
See **'Installation - General'** for further details.

b

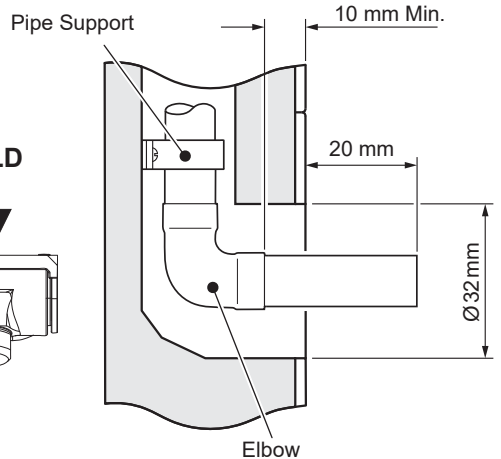
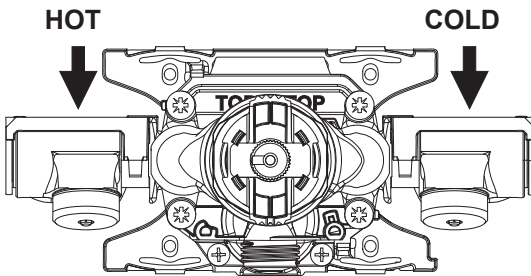
Determine the route for the supply pipes.

Note: This product is suitable for rear supplies only.

c

Use the template provided to mark the positions of the pipes and fixing holes.

Note: There are four positions to screw the mixing valve to the wall, all four **MUST** be used.

d

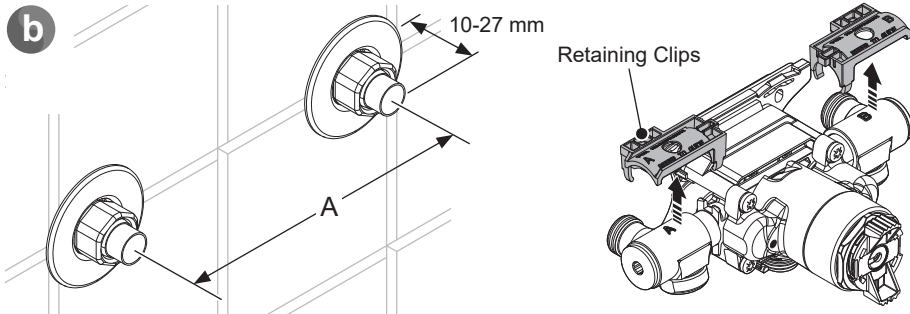
Fit the supply pipework.

Inlet pipes must extend 20 mm from the finished wall surface, and be square to the wall. Continue from step 3 on page 17.

2 Replacement Installation

The adjustable elbows each have adjustment, allowing your thermostatic mixer to be connected to pipe centres ranging from 110 mm to 155 mm.

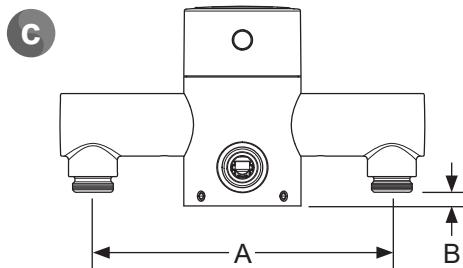
a Carefully remove the existing product and place on a flat surface. Refer to the installation guide supplied with the existing product for any help.



Inlet pipes must extend 10-27 mm from the finished wall surface, and be square to the wall. If pipes are longer than 27 mm cut and deburr pipe to a suitable length.

Measure the distance between the two inlet pipes (**Distance A**).

If the distance between the two inlet pipes centres is not 153 mm, remove the retaining clips as shown and recycle them.

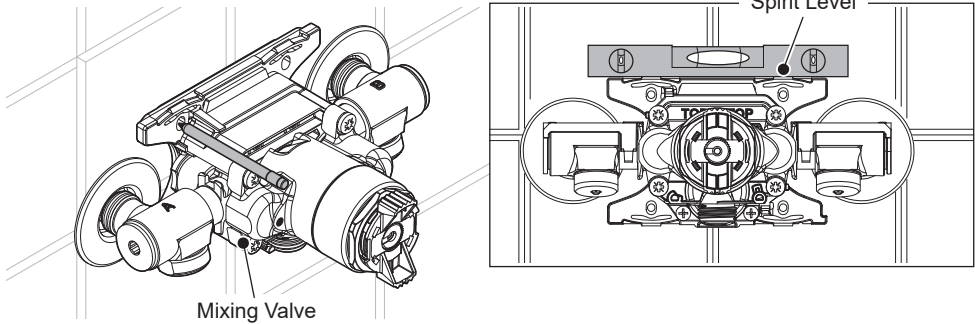


Measure the distance between the inlet face and the flat surface (**Distance B**) for the previously installed product.

Refer to the table below to find the correct configuration for the inlet connections.

Distance between Inlet face and Wall (B)	Pipe Centres (A)	
	135 - 155 mm	110 - 132 mm
< 10 mm	Proceed to Step “d” (Example: Mira Excel, Mira Element)	Proceed to Step “g”
> 10 mm	Proceed to Step “f”	Proceed to Step “e” (Example: Mira Mini)

d For A = 135 mm - 155 mm and B < 10 mm



Note: Identification on the mixing valve shows the orientation that the valve must be fixed to the wall. Ensure the “TOP” marking faces to top of the product.

Note: Slide the elbows to required pipe centers.

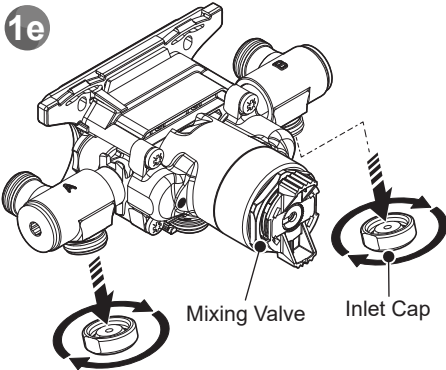
Loosely fit the mixing valve to the inlet pipes.

Set the mixing valve level and mark the positions of the four fixing holes.

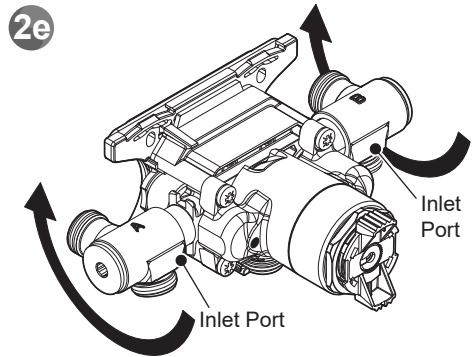
Note: There are four positions to attach the mixing valve to the wall, all four **MUST** be used.

Remove the valve from the pipes and continue step 3 from page 17.

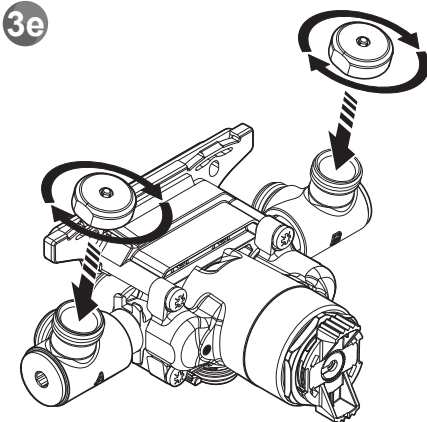
e For A = 110 mm - 132 mm and B > 10 mm



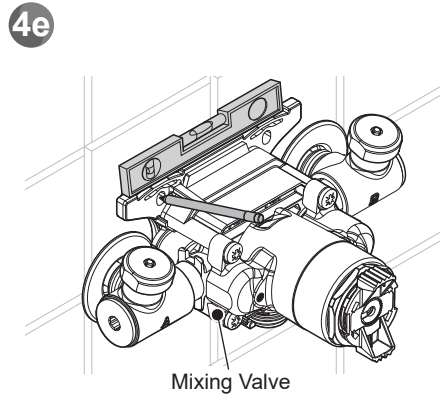
Remove the inlet caps from the optional inlet ports and retain for reinstallation.



Rotate the inlet ports towards the inlet pipes.



Refit the inlet caps to the long open ends shown above.



Note: Slide the elbows to required pipe centers.

Loosely fit the mixing valve to the inlet pipes.

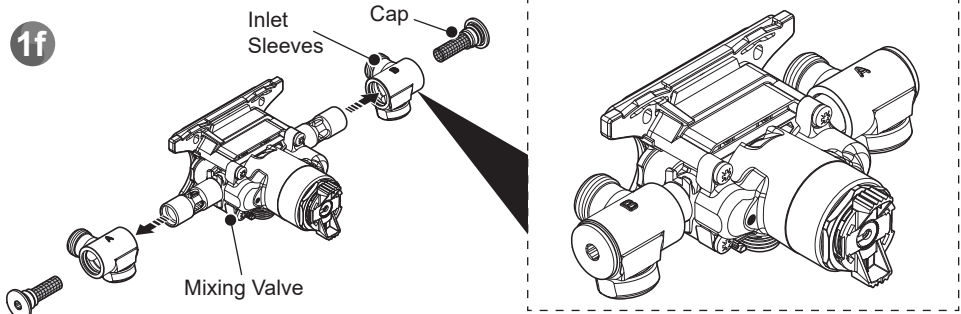
Set the mixing valve level and mark the positions of the four fixing holes.

Remove the valve from the pipes and continue step 3 from page 17.

f

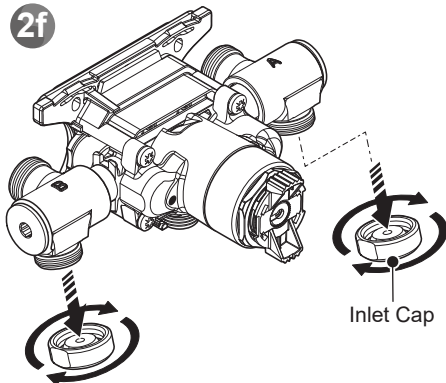
For A = 135 mm - 155 mm and B > 10 mm

1f



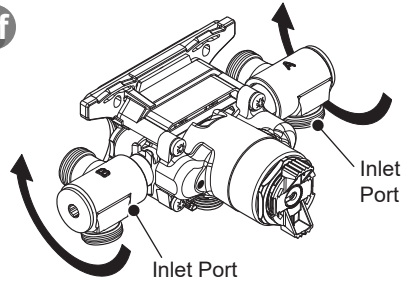
Remove the inlet sleeves using 6 mm hex key. Note the "A" and "B" markings on the inlet sleeves. Swap the sleeves and fit onto the mixing valve oriented as shown.

2f



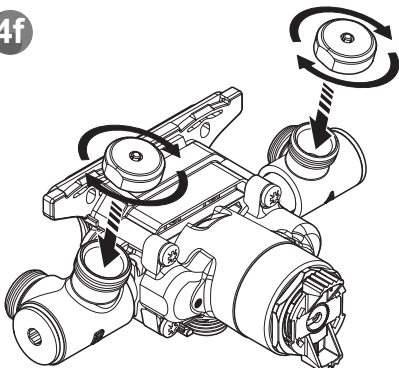
Remove the inlet caps from the optional inlet ports and retain for reinstallation.

3f



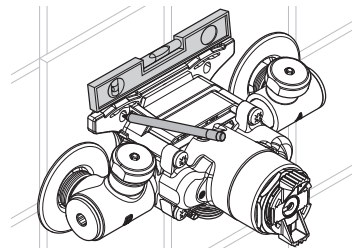
Rotate the inlet ports towards the inlet pipes.

4f



Refit the inlet caps to the long open ends shown above.

5f



Note: Slide the elbows to required pipe centers.

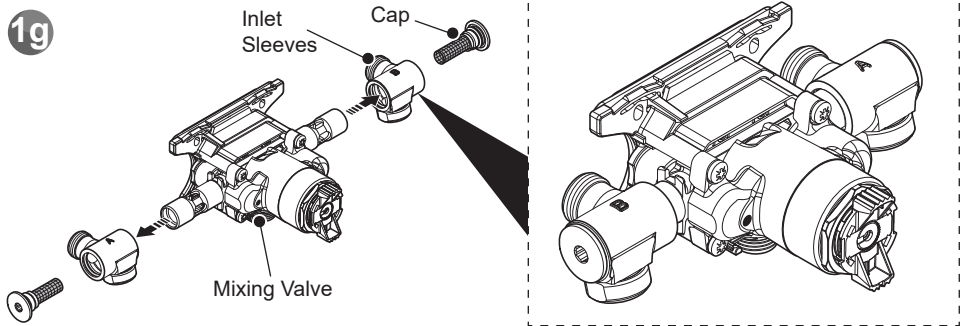
Loosely fit the mixing valve to the inlet pipes.

Set the mixing valve level and mark the positions of the four fixing holes.

Remove the valve from the pipes and continue to step 3 from page 17.

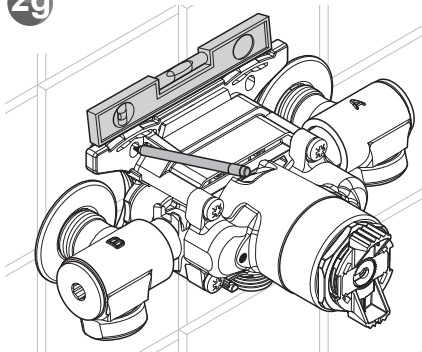
g For A = 110 mm - 132 mm and B < 10 mm

1g



Remove the inlet sleeves using 6 mm hex key. Note the "A" and "B" markings on the inlet sleeves. Swap the sleeves and fit onto the mixing valve oriented as shown.

2g



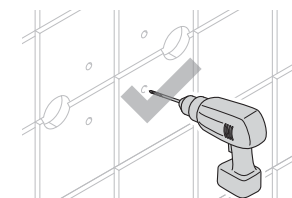
Note: Slide the elbows to required pipe centers.

Loosely fit the mixing valve to the inlet pipes.

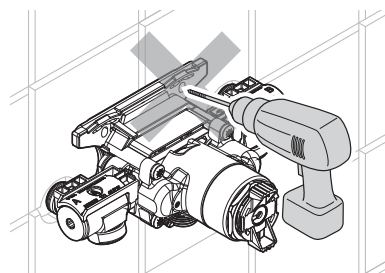
Set the mixing valve level and mark the positions of the four fixing holes.

Remove the valve from the pipes.

3



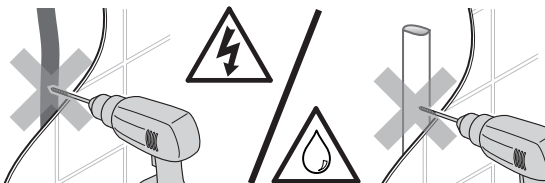
Ø 6mm drill required for wall plugs supplied

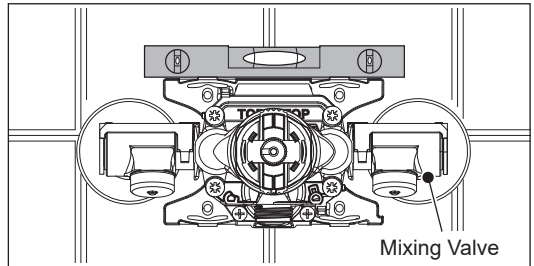
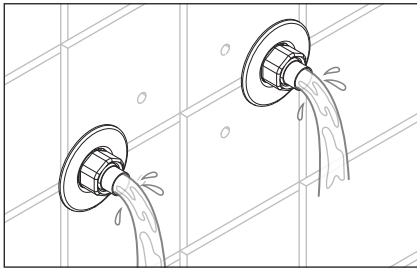
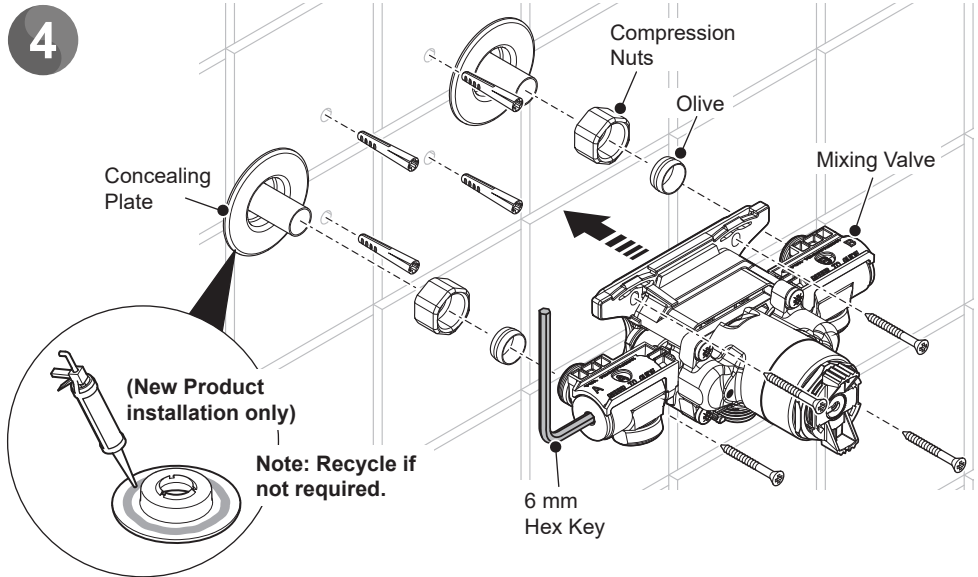


Drill the four fixing holes for the backplate.

DO NOT drill through the backplate into the wall.

DO NOT drill into buried cables or pipes.





Flush the water supplies thoroughly before connecting the mixing valve.

Note: Identification on the mixing valve shows the orientation that the valve must be fixed to the wall. Ensure the “TOP” marking faces to top of the product.

Place the concealing plates, compression nuts and olives (**new installation only**) over the pipes.

Place the mixing valve over the inlet pipes. Finger tighten both the compression nuts and then fix the mixing valve to the wall using the wall screws (x4) and wall plugs provided. Retighten the compression nuts using a suitable spanner while supporting the elbow with a 6 mm hex key as shown.

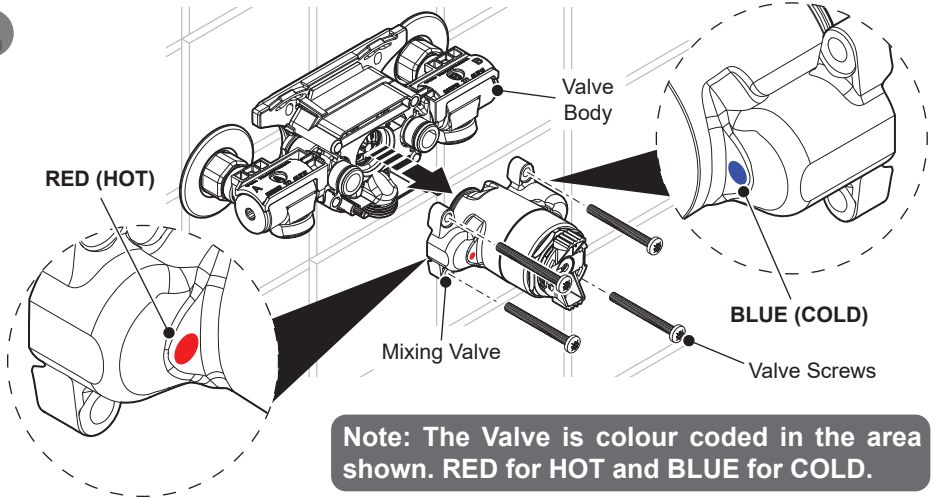
Check for leaks.

Note: There are four positions to screw the mixing valve to the wall, all four MUST be used.

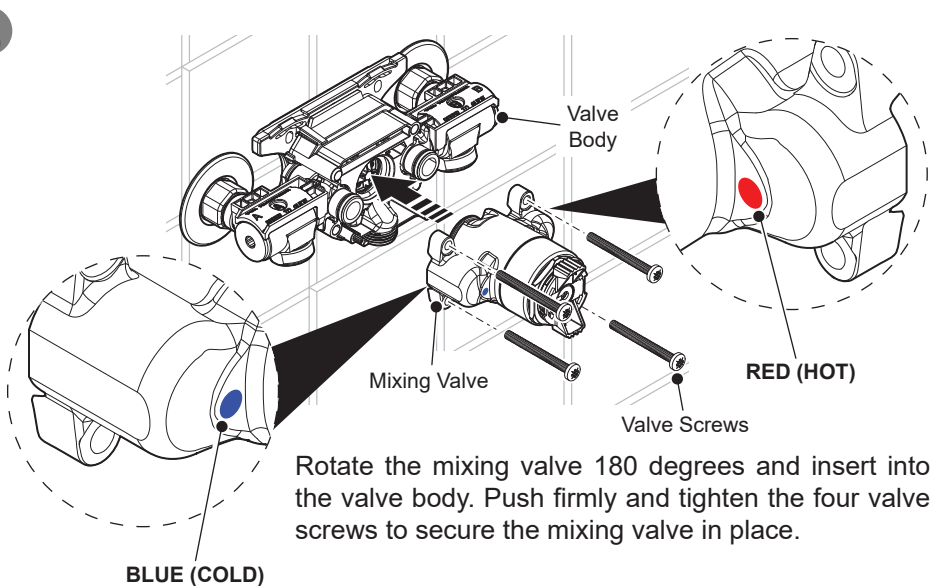
5 Reversed Inlet Supplies

If the **HOT** water supply is on the **RIGHT HAND** side, the shower's control cartridge must be reversed. The following steps show how to swap the hot and cold water inlet positions of the cartridge.

Isolate the water supplies and turn the shower on/off to relieve the water pressure.

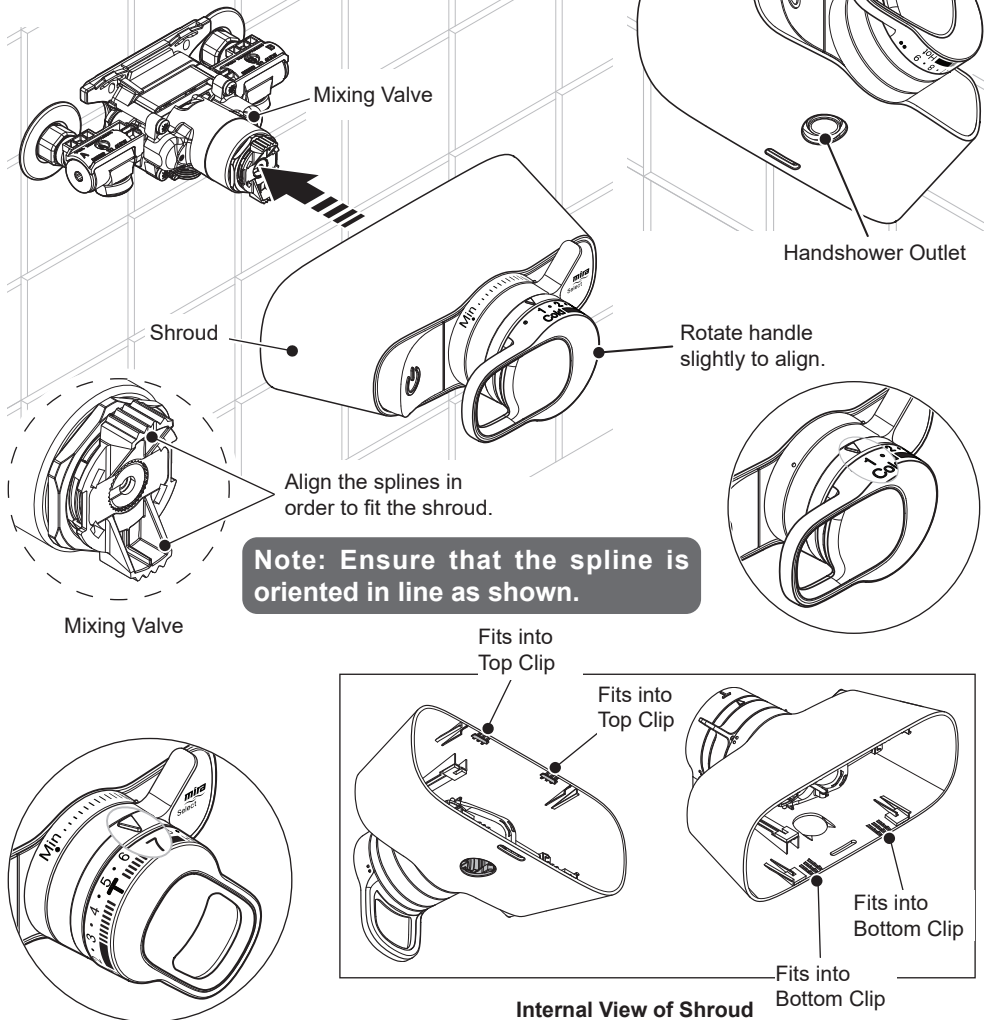


Loosen the four valve screws and remove the mixing valve from the valve body.



6

Note: Before fitting the shroud ensure inlet water supplies are isolated.



Slide the shroud over the valve and push until clipped. Ensure that outlets are in the correct position and drive features match. Rotate the temperature handle slightly to align if there is any resistance. The shroud should click and clip into place.

Pull the shroud gently to ensure it is properly clipped into place.

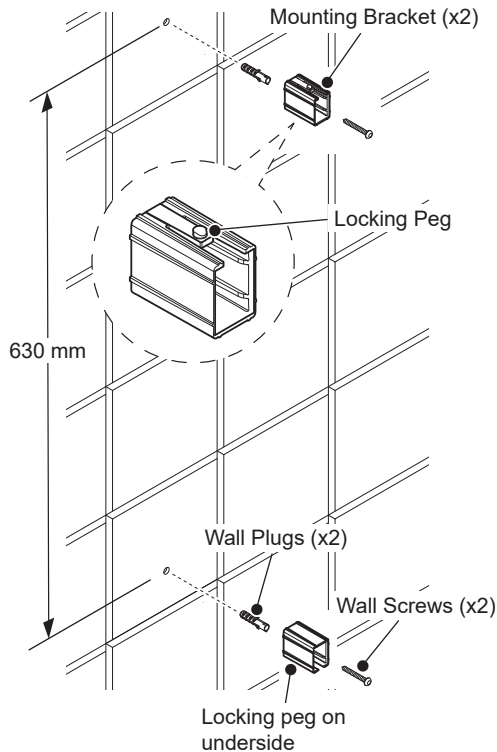
The shower is factory pre-set to a safe maximum temperature, restricting the dial to setting 7. Higher temperatures can be achieved by changing this pre-set. Refer to **Commissioning Section** on page 30.

Continue directly to page 24 if installing the Flex Shower Fittings.

7

Single Outlet Shower Fitting

a



Mark the wall fixing positions and drill two holes to suit the wall fixings.

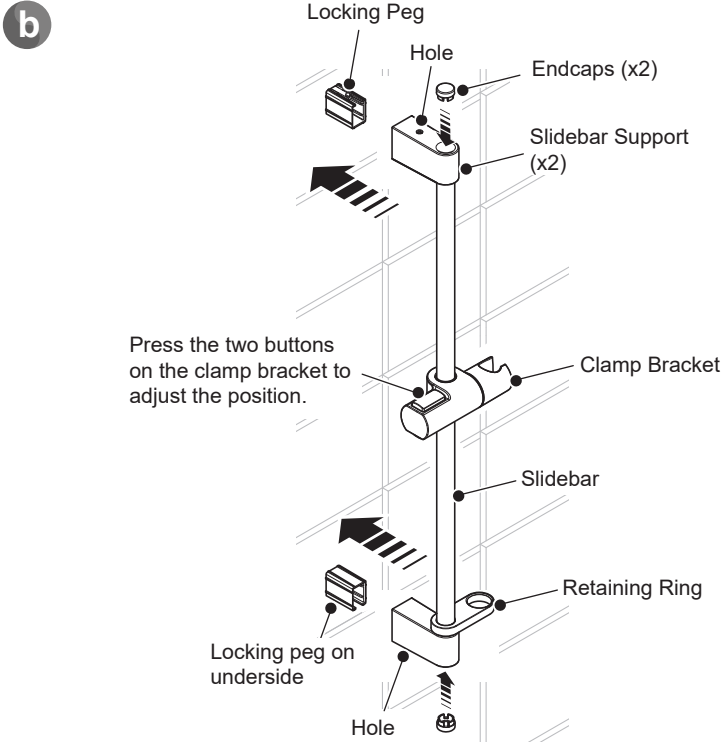
Caution! Do not drill into cables or pipes in the wall.

Note: Installation fixing centres are 630 mm for the 660 mm sidebar.

Install the wall plugs and the mounting brackets and secure with the wall screws. Alternative wall fixings can be used. Stainless steel screws are recommended.

Note: Verify that the locking pegs are orientated correctly.

Note: Check for vertical alignment before tightening. The mounting brackets are slotted to aid this alignment. Then fully tighten.



Install the clamp bracket, the hose retaining ring (smallest hole) and the slidebar supports to the slidebar.

Note: Orientate the hole on the slidebar supports in line with the locking peg on mounting bracket.

Ensure an equal length of slidebar protrudes from the top and bottom slidebar support (or flush with the end of the slidebar for new installations) and push onto mounting brackets. Ensure it clicks into place.

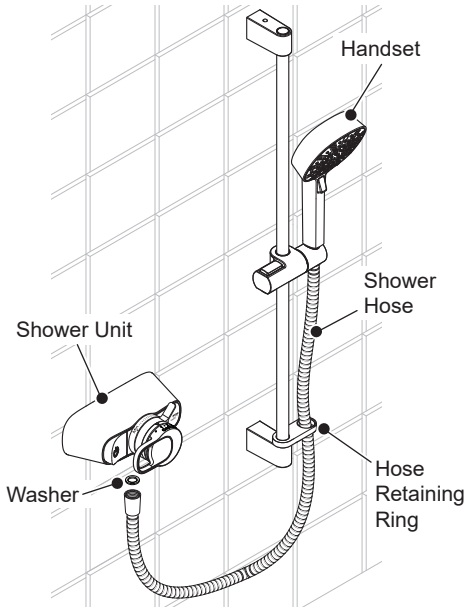
Caution! DO NOT force assembly onto the mounting brackets. Re-align slidebar support if required.

Important! Ensure that the locking pegs click in and are fully engaged in the holes in the slidebar support.

Install the endcaps, push fit into both ends of the slidebar.

Note: Slidebar support removal. Using a suitable tool, push and hold down the locking peg through the hole in the slidebar support and pull off.

C



Information for Flow Regulators:

Mira Select is pre-fitted with a 11 L/min flow regulator in the valve outlet to reduce water usage.

For maintained pressures below 1 Bar, we recommend removing the flow regulator for improved performance.

In high pressure installations, flow control may be limited, if you require lower flow, contact Mira Customer Services for an alternative 81/min flow regulator.

Hose and Handshower Installation

Fit a hose seal into the end of the hose and screw onto the outlet of the valve.

Caution! DO NOT over tighten.

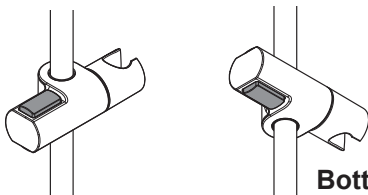
Feed the hose through the hose retaining ring.

Fit a hose seal into the end of the hose and screw onto the handshower.

Place the handshower into the clamp bracket assembly.

Only use the supplied handset with this product.

Clamp Bracket Operation

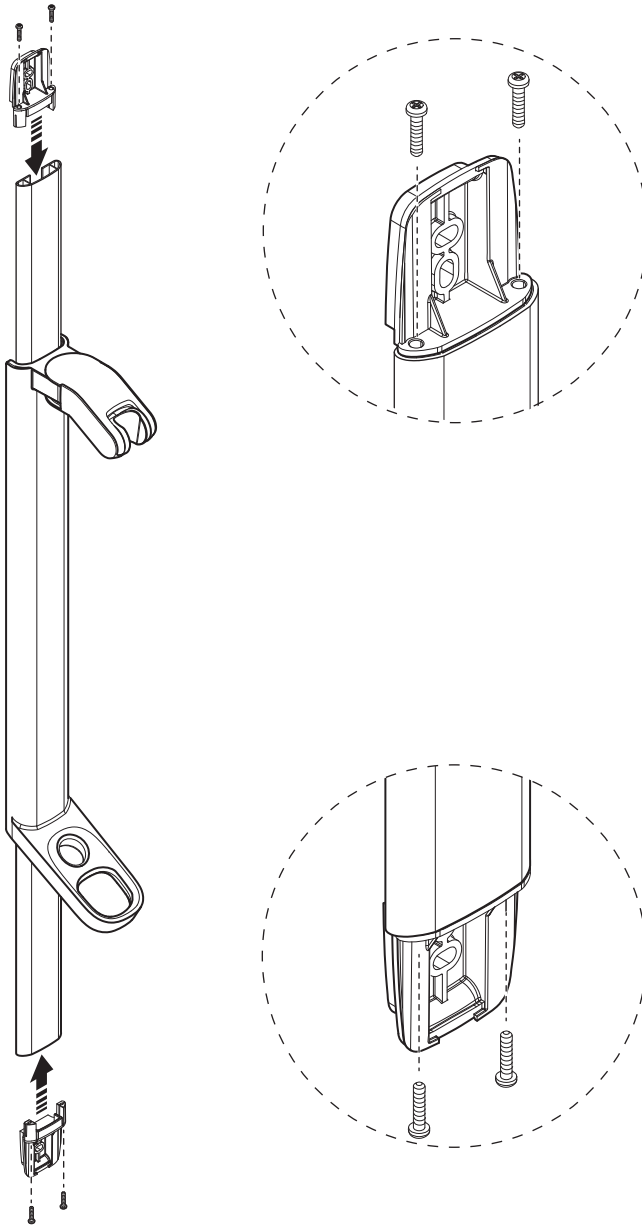


Bottom View

Press the two buttons on the clamp bracket to adjust the position.

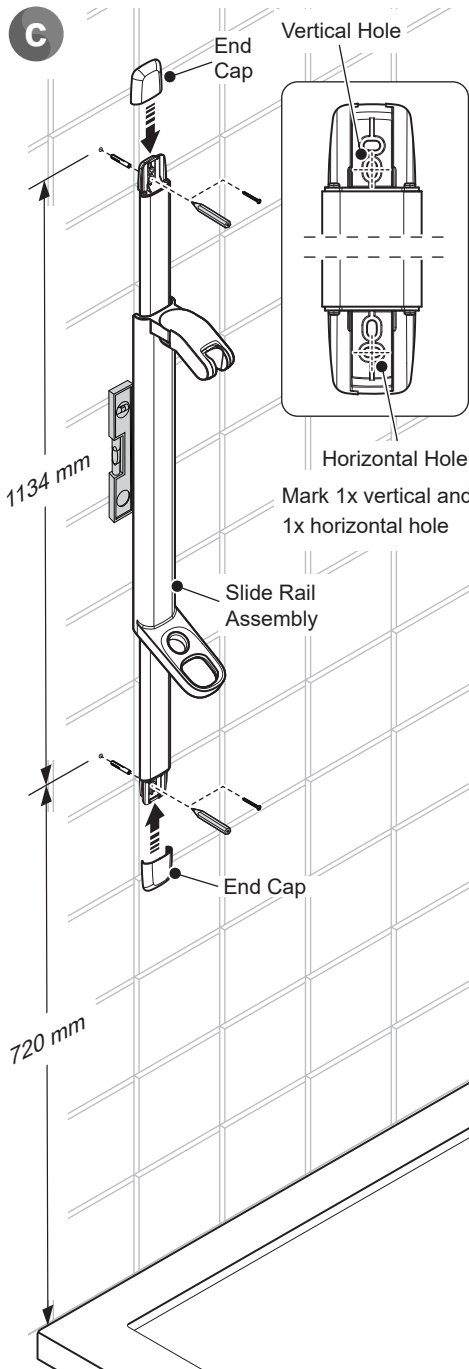
Warning! Slidebar must not be used as a grab rail.

Continue directly to the **Commissioning Section** on page 30.

b

Push the end brackets into the both ends of the slide rail and make sure that end brackets are pushed firmly.

Tighten the two screws to secure the end brackets onto the slide rail.



Hold the slide rail assembly against the wall in the desired position.

Mark the positions of the top and bottom fixing holes using the slide rail brackets as a template.

Note: Use a spirit level to ensure the bar is vertical.

Note: Mark one of the vertical oval holes and one of the horizontal oval holes to allow slight adjustments to the slide rail.

Drill two 8 mm fixing holes and install the wall plugs.

DO NOT drill through the slide rail brackets into the wall.

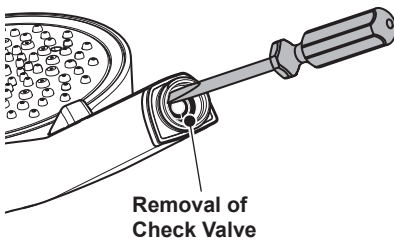
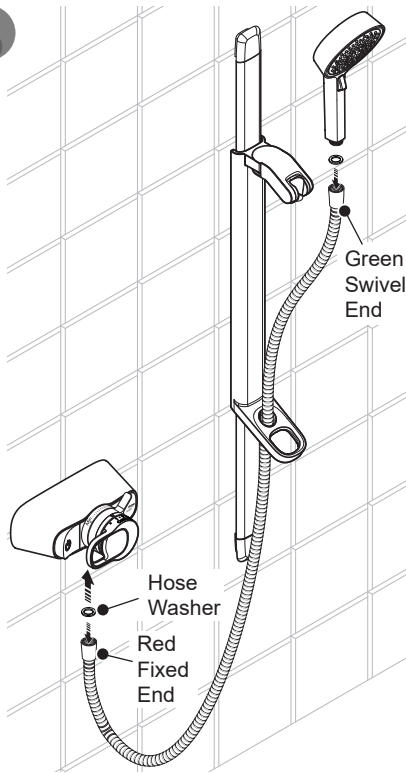
Caution! Do not drill into cables or pipes in the wall.

Note: Installation fixing centres are 1134 mm for the sidebar.

Fit the slide rail to the wall and tighten the screws, ensuring the rail is vertical.

Fit the end caps over the end brackets.

d



Fit the shower hose onto the bottom outlet of the mixing valve.

The hose has a swivel end for easy handset alignment. Green end fits to the handset and red end fits to the valve.

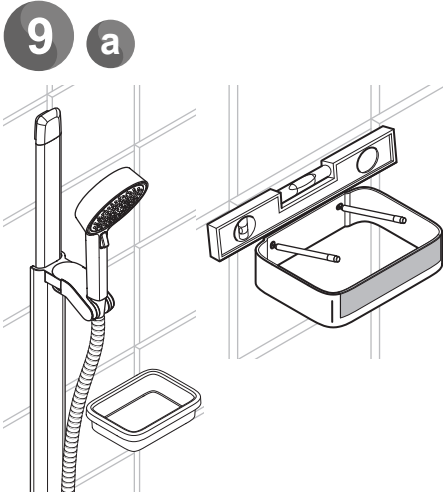
Information for Flow Regulators:

- Mira Select is pre-fitted with a 11 L/min flow regulator in the valve outlet to reduce water usage.
- For maintained pressures below 1 Bar, we recommend removing the flow regulator for improved performance.
- For Gravity Fed systems, remove the flow regulator from the valve and the check valve from the flex handset.

Push the shower hose through the retaining ring and screw it to the handshower. Make sure that the hose washer is fitted.

Place the handshower into the clamp bracket, adjusting the angle and height to the user's preference.

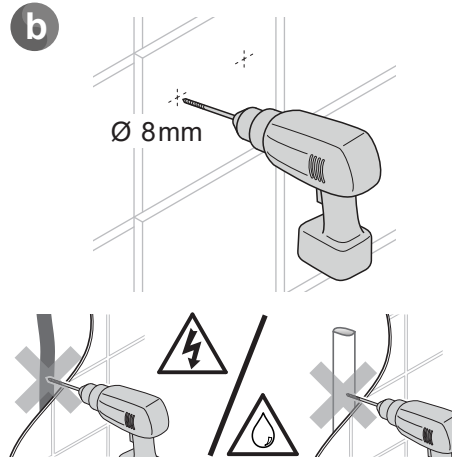
Note: In low pressure installation the check valve in the handset will reduce flow. It can be removed to achieve improved flow. However, if removed an alternative hose retaining ring is required. These are available through Mira Customer Services.



Decide on a suitable position for the soap dish avoiding any buried cables and pipes.

Place the soap dish frame on the wall and mark the position of the fixing holes. Recommended height 1050 mm from the shower tray (see page 11).

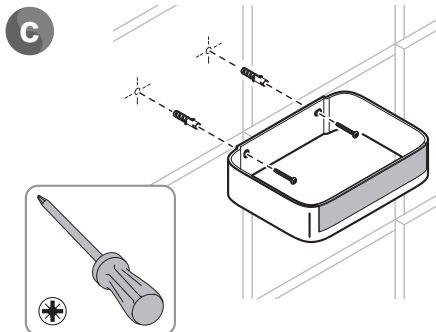
Note: Use a spirit level to ensure the soap dish frame is horizontal.



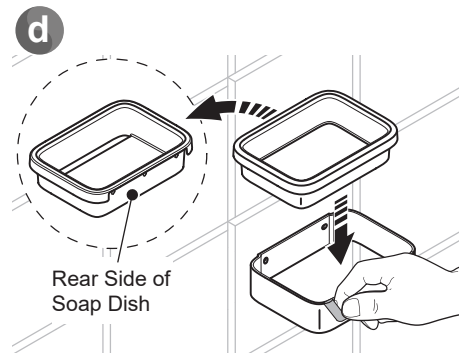
Drill the two fixing holes for the soap dish frame.

DO NOT drill through the soap dish frame into the wall.

DO NOT drill into buried cables or pipes.



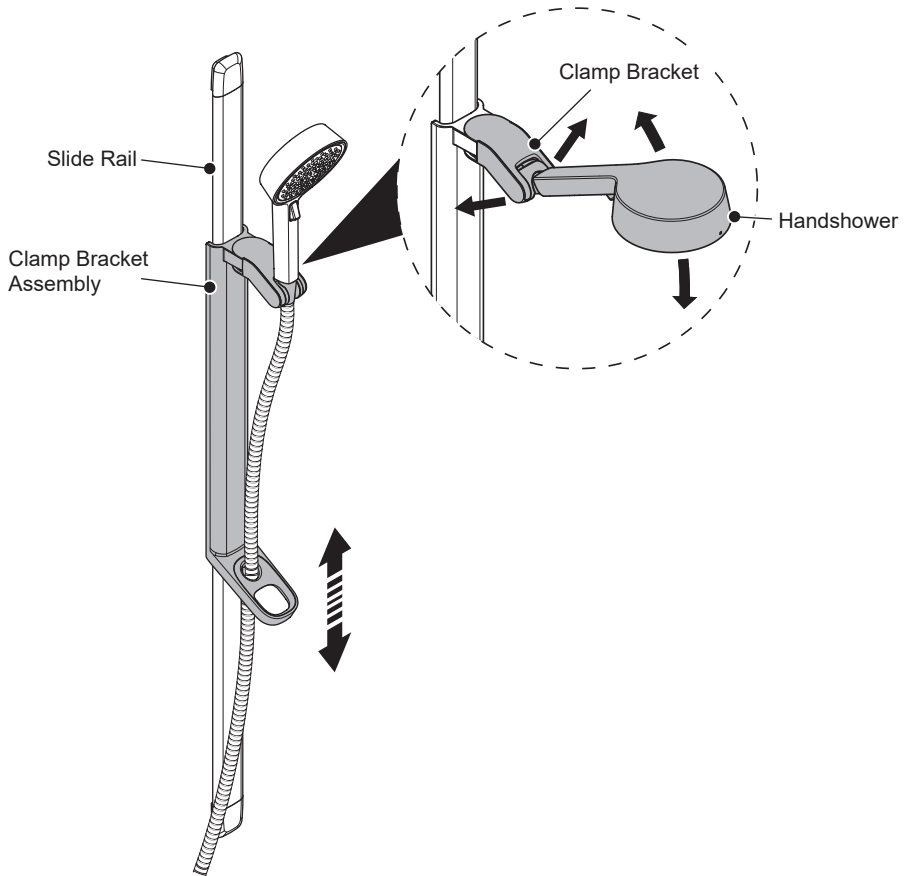
Install the soap dish frame to the wall using the supplied wall plugs and screws.



Remove the protective film from the soap dish frame.

Place the soap dish inside the frame in the correct orientation as shown.

10 Operation of Flex Shower Fitting



Slide the clamp bracket assembly up and down along with the slide rail until the handshower is positioned to your preference.

Rotate the clamp bracket and handshower as shown to suit your preference.

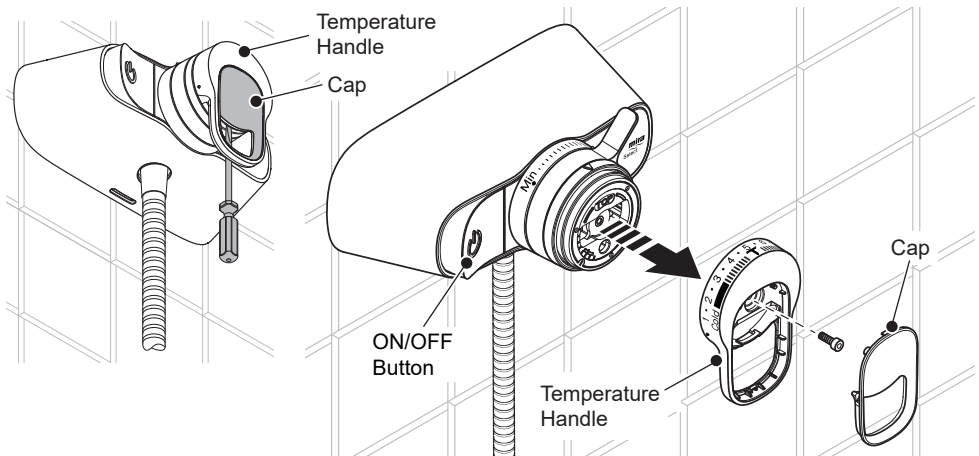
Commissioning

Maximum Temperature Setting

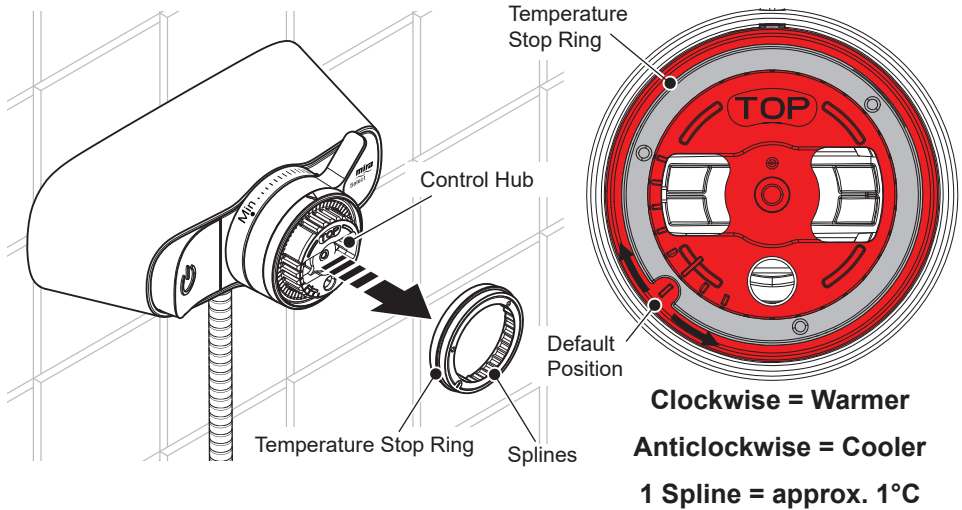
Before using the shower, the maximum temperature must be checked to make sure that it is at a safe level. It has been preset to a safe showering temperature under ideal conditions at the factory, appropriate for most systems. However, site conditions and personal preference may make it necessary to reset this temperature.

Note: Make sure that the hot water temperature is at least 55°C and that there is sufficient supply.

Caution! Before making any adjustments to the shower, operate the temperature control from maximum hot to cold and make sure hot and cold water flows correctly from the shower outlet. After making any adjustments repeat this process.

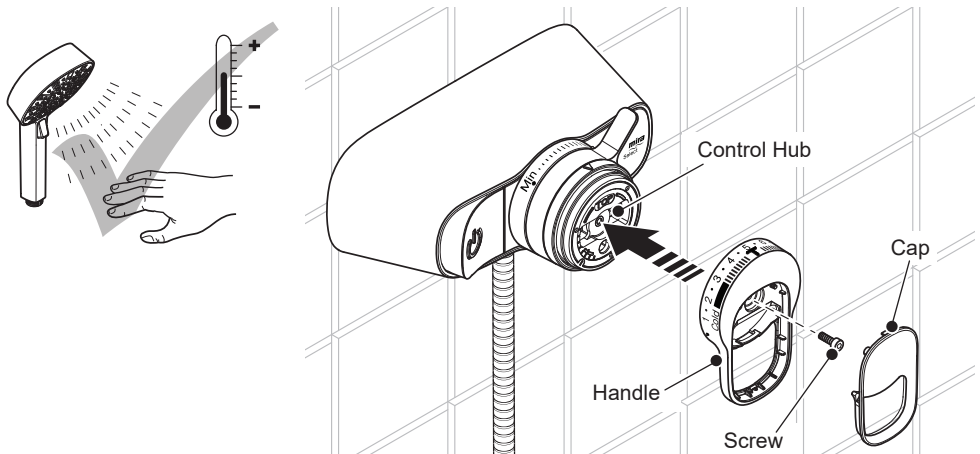


1. Turn on the water supply and open water inlet supply isolators to maximum.
2. Press the ON/OFF button to turn ON the shower.
3. Turn the temperature handle **anticlockwise** until it stops and test that the temperature of the water from the shower outlet is hot enough. If not, complete the following procedure.
4. Turn the temperature lever to "5" and turn OFF the shower.
5. Locate a flat blade screwdriver into the slot under the cap and twist gently avoiding damage.
6. Remove the cap.
7. Unscrew the bolt using a 3mm hex key and remove the temperature handle.



7. Remove the temperature stop ring and rotate by the required number of splines within the marked temperature range.
8. Refit the temperature stop ring and turn anticlockwise against the stop.

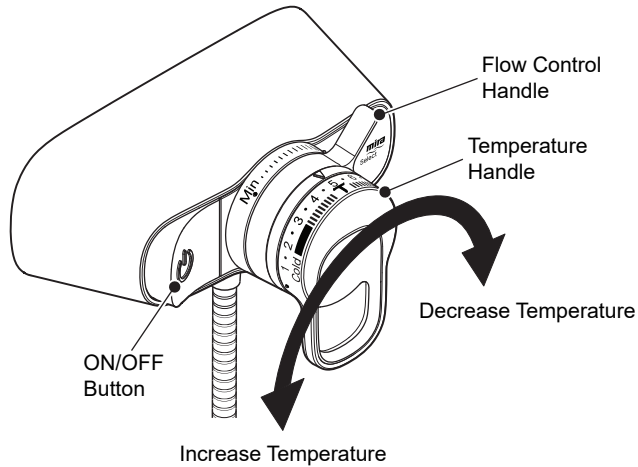
Note: Maximum temperature achievable is 49°C.



9. Turn ON the shower and check the showering temperature.
10. Turn OFF the shower. Align the "5" on the handle with "top" marked on the control hub and refit the handle screw and cap.

Operation

Important! Read the 'Safety Information' before using your shower.



On/Off and Temperature Control

Press the ON/OFF button to turn the product ON or OFF.

Adjusting the Temperature

The temperature increases by rotating the temperature handle in anticlockwise direction. Rotate the handle clockwise to reduce the temperature.

Adjusting the Flow

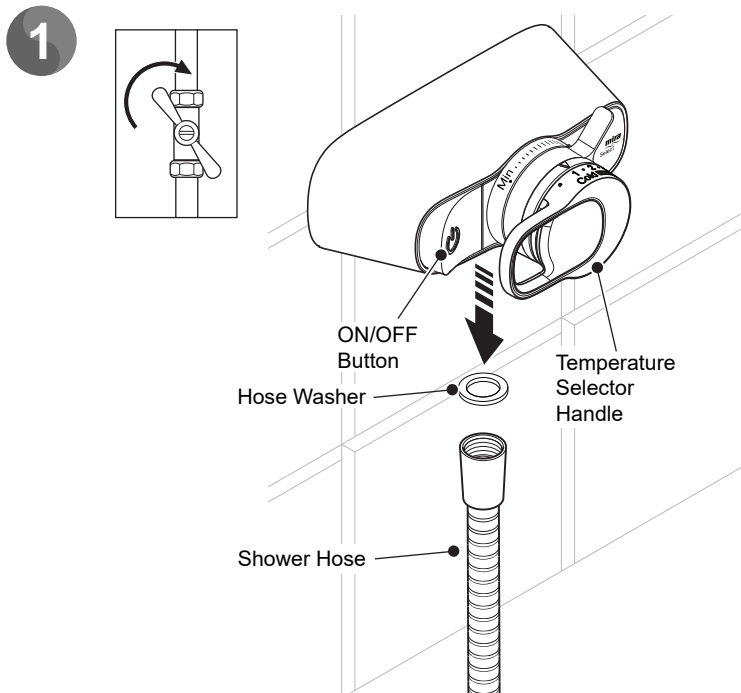
The flow is controlled by rotating the flow handle. The flow increases by rotating the flow handle in the clockwise direction. Rotate the handle anticlockwise to reduce the flow.

User Maintenance

WARNING! PLEASE OBSERVE THE FOLLOWING TO REDUCE THE RISK OF INJURY OR PRODUCT DAMAGE:

- **DO NOT** allow children to clean or perform any user maintenance to the shower unit without supervision.
- If the shower is not to be used for a long period, the water supply to the shower unit should be isolated. If the shower unit or pipework is at risk of freezing during this period, a qualified, competent person should drain them of water.

Inlet Filter Cleaning

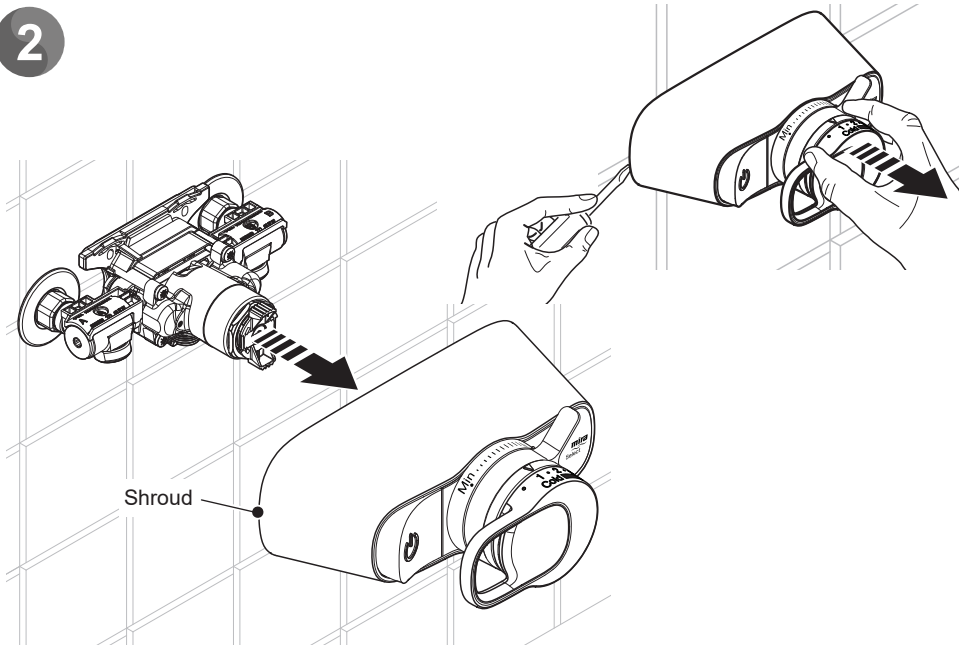


Isolate the water supplies and turn the shower on to relieve the water pressure.

Turn OFF the shower.

Disconnect the hose from the shower unit. Retain all parts carefully for reinstallation.

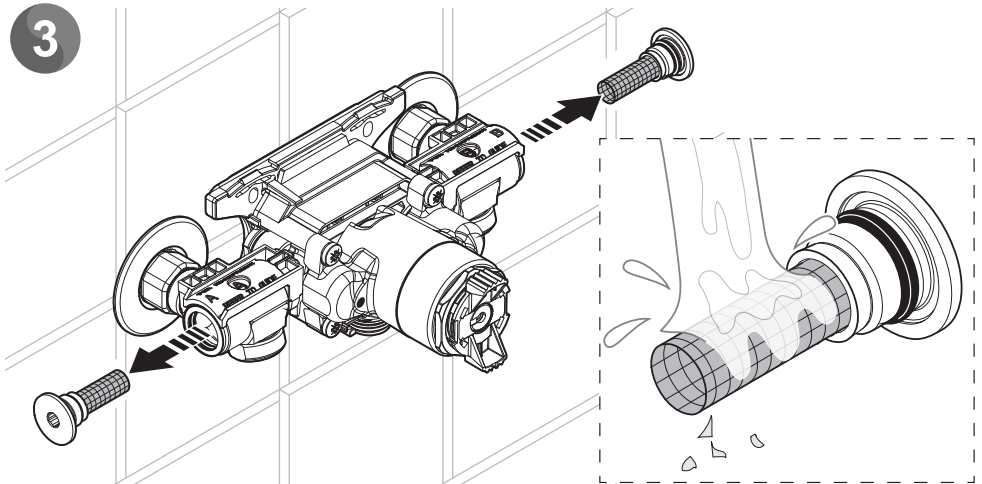
2



Locate a large flat blade screwdriver behind the bottom-side edge of the shroud, gently twist the screwdriver to lever off the shroud while supporting the front.

Pull off the shroud from valve assembly.

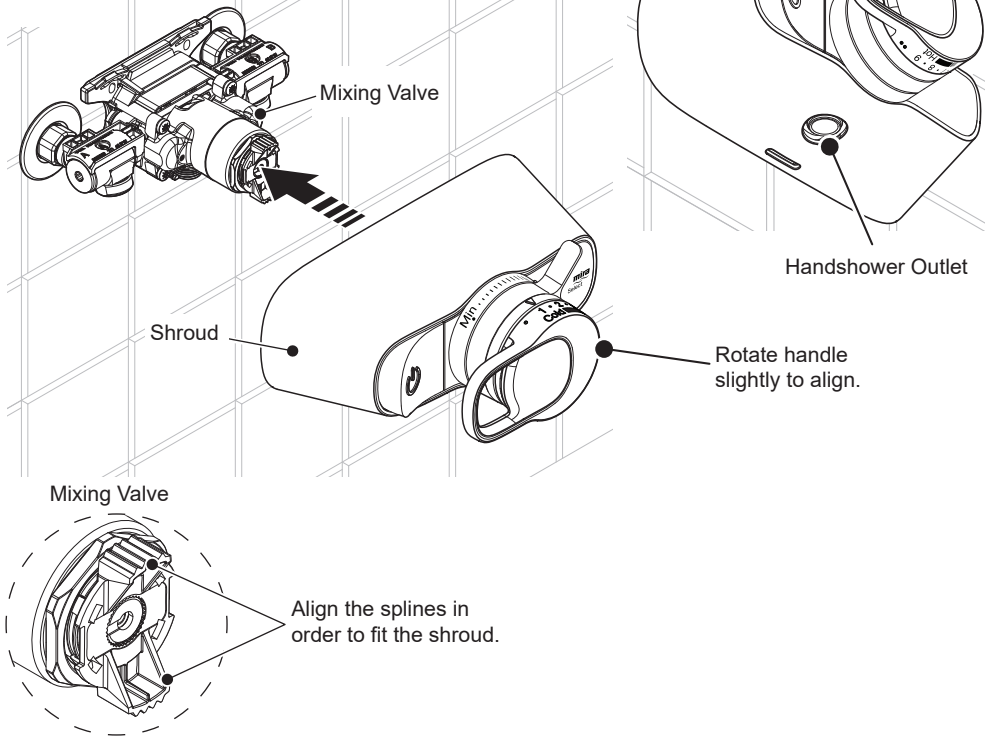
3



Remove the inlet filters using 6 mm hex key. Rinse the filters in clean water, removing any dirt or debris. Wipe the inside of the elbow with a clean cloth to remove any remaining debris. Replace if the filter mesh is damaged.

4

Note: Before fitting the shroud ensure inlet water supplies are isolated.



Note: Ensure that the spline is oriented in line as shown above.

Slide the shroud over the valve and push until clipped. Ensure outlets are in the correct position and drive features match. Rotate the temperature handle slightly to align if there is any resistance. The shroud should click and clip into place.

Pull the shroud gently to ensure it is properly clipped into place.

Install shower fittings.

Restore the water supplies and check for leaks.

Cleaning

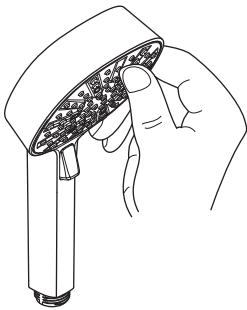
Always read the **IMPORTANT SAFETY INFORMATION** for your shower.

Cleaning the showerhead

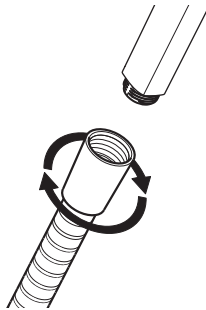
Many household and commercial cleaners, including hand and surface cleaning wipes contain abrasive and chemical substances that can damage plastics, plating and printing and should not be used. These finishes should be cleaned with a mild washing up detergent or soap solution, and then wiped dry using a soft cloth.

De-scaling the Showerhead and inspecting the hose

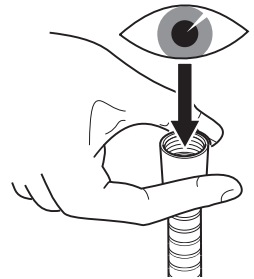
It is **IMPORTANT** to keep the Showerhead and Hose clean and free from blockage to make sure your shower performs to its optimum. The showerhead **MUST** be regularly cleaned and the hose **MUST** be regularly inspected to ensure there is no internal collapse or blockage that could reduce the flow.



Use your thumb or a soft cloth to wipe any limescale from the soft nozzles.



Unscrew the hose from the handshower and the shower outlet.



Inspect the hose.

Warning! Failure to keep the showerhead nozzles clear or inspect the hose for blockage or internal/external collapse can restrict the flow rate from the shower. This may cause damage to the shower or result in the temperature delivered to the user rising to unsafe levels with a risk of scalding. You **MUST ALWAYS** check the temperature before using the shower.

Spray Plate Removal



1. Insert the prongs (x2) of the spray plate removal tool supplied into the corresponding holes in the spray plate.
2. Turn the removal tool anticlockwise and unscrew the spray plate from the showerhead body.
3. Clean all the components with a stiff brush. If necessary use a plastic kettle descaler in accordance with the manufacturer's instructions.
4. Flush thoroughly with water before the shower is used.
5. Refit the components in reverse order. Take care not to cross thread the spray plate.

Fault Diagnosis

If you require a Mira trained service engineer or agent, refer to '**Customer Service**'.

Symptom	Cause/Rectification
Water too hot or too cold	<p>Inlets reversed (hot supply to cold supply). Refer to Reversed Inlet Supplies page 19 to reverse the Inlet supplies.</p> <p>Check filters for any blockage.</p> <p>Check the maximum temperature setting (If you have a combination type boiler it may not be producing sufficient hot water at the desired flow rate). Fit a flow regulator to the shower valve outlet.</p> <p>Installation conditions outside operating parameters. Refer to Specifications and Commissioning.</p>
Poor temperature control	<p>Make sure that the inlet temperature differentials are sufficient, refer to Specifications.</p> <p>If fitted to a combi boiler ensure there is sufficient pressure and flow to deliver a constant hot water inlet supply.</p> <p>Check the shower handset, hose and inlet filters for any blockage and clean where necessary.</p>
Fluctuating or reduced flow	<p>Check the shower handset, hose and filters for any blockage.</p> <p>In low pressure installation the check valve in the handset and the flow regulator in the valve outlet will reduce flow. They can be removed to achieve improved flow. However, if removed an alternative hose retaining ring is required. These are available through Mira Customer Services.</p> <p>Make sure that the maintained inlet pressures are nominally balanced and sufficient. Refer to Specifications.</p> <p>Air lock or partial blockage in the pipework.</p>
Water leaking from the shower handset/overhead	<p>Normal for a short period after shut off.</p> <p>Check that the pressures are not in excess of the specifications for this product.</p> <p>There may be occasions where the overhead shower or shower handset empties for a while after the shower has been used, this is due to changes in ambient temperatures and is normal. It is recommended that all outlets are therefore enclosed within the water catchment area.</p>

What to do if something goes wrong

If your product does not work correctly check that it is installed and commissioned in accordance with our instructions. If this does not resolve the issue, contact us for help and advice. Refer to Customer Service page for more details.

Spare Parts

A list of spares for these products are available from the Mira Website, visit website www.mirashowers.co.uk.

Activate your Free* Guarantee

Thank you for choosing Mira. By registering your product, this will act as your proof of purchase and enable us to provide the best possible after sales service.

REGISTER NOW visit the Mira website guarantee page

www.mirashowers.co.uk/support/guarantee.htm

(You will need the Model Name, Product Code and Date of Manufacture. This information can be found on the front page of this guide)

* If you do not activate your guarantee proof of purchase will be required.

Mira has appointed Domestic & General Insurance PLC to provide product registration services and protection plans to accompany its products.

What we do with your information

At Domestic & General we want to reassure you that we use your information both responsibly and securely to provide you with the best possible service. Below we explain what we do with your information and your rights to your information. If you would like any further details you can get in touch with us using the contact details below or visit our website (www.domesticandgeneral.com).

Using your information

Domestic & General Insurance PLC ("we") is the "data controller" of your information. We process two sets of information about you, "Personal Information" (your name, address, contact and payment details) and the "Goods Information" you provide to register your appliance or device (your name, address, contact and goods details). We will use your information:

(i) As necessary to fulfill our contract with you (including to recover any amounts owing); (ii) for our legitimate interests in: undertaking marketing (about our products and services and those of our third-party partners) by post, telephone, email and/or other electronic messaging services; market research; customer surveys; printing services; checking and verifying your identity and contact details; recording your conversations for training, quality and compliance purposes; and for analytics and profiling for marketing purposes; and (iii) where required to do so by law. We may also ask for your consent to some uses of your information.

Sharing your information

From time to time your Personal Information and Goods Information may also be shared with other members of the Domestic & General Group of Companies (Domestic & General Insurance or Services and other future members of the Group whose details we will notify to you ("Group"), where applicable with Kohler Mira Limited which is the subject of your protection policy and with companies acting on our behalf or providing services to us (for example, the companies we use to carry out repairs, IT & mailing services, storage of paper records and telecommunications). Kohler Mira Limited will process your Personal Information for their legitimate business interests (including marketing and analytics) in accordance with their privacy policy.

Transferring your information

In exceptional cases, we may transfer your information to countries outside the European Economic Area (including the US) which may not have data protection laws which provide the same level of protection as provided in the UK. We have put in place Model Clauses as an appropriate safeguard to ensure that such information is adequately secured and protected and that such transfers meet the requirements of applicable data protection law.

Keeping your information

We keep your Personal Information for six years after you terminate your policy so that we can deal with any claims. Your goods information that we keep for a bit longer, normally 10 years (the average life of an appliance) for health and safety. We also keep your information to send you marketing that you might be interested in, unless we receive a request from you to opt-out of marketing.

Rights to your information

By writing to the Data Protection Officer using the contact details provided below, you have the right to ask us:

- For a copy of the Personal Information we hold about you
- For a copy of the Personal Information you provided to us to be sent to you or a third party in a commonly used, machine readable format
- To update or correct your Personal Information to keep it accurate
- To delete your Personal Information from our records if it is no longer needed for the original purpose; and
- To restrict the processing of your Personal Information in certain circumstances

And you may also:

- Object to us processing your Personal Information, in which case we will either agree to stop processing or explain why we're unable to, and
- Where we rely on your consent, withdraw that consent at any time

Please note that the above rights are not absolute and certain exemptions apply to them. You can also make a complaint to the Information Commissioner (www.ico.org.uk) if you feel your Personal Information has been mishandled.

Marketing

We, along with other members of our Group and Kohler Mira Limited may use your information to tell you about any offers, products or services which may be of interest to you. We may contact you by post, telephone, email and/or other electronic messaging services.

To change your marketing preference, let us know by emailing marketingpreferences@domesticandgeneral.com or by writing to us using the contact details provided below. For Kohler Mira Limited marketing you will need to contact them directly using their contact details that you will normally find in their privacy notice.

Contact Details

If you need to contact us about your information or your information rights, or to see a copy of our Model Clauses, please write to Freepost Plus RTKS-CLRA-GRYE, Data Protection Officer, Domestic & General, Leicester House, 17 Leicester Street, Bedworth CV12 8JP or dataprotection@domesticandgeneral.com and we'll be happy to help you.

Customer Service

Guarantee

Your product has the benefit of our manufacturer's guarantee which starts from the date of purchase. This guarantee only applies in the United Kingdom and Republic of Ireland.

Activating Your Guarantee

Registering your guarantee is quick and simple. To ensure your product is covered, please register online.



Scan the QR code to activate your guarantee now or call **0800 5978551** within 30 days of purchase (UK only).

What is Covered:

- The guarantee applies solely to the original installation under normal use.
- The product must be installed and maintained in accordance with the instructions given in this guide.
- Servicing must only be undertaken by us or our appointed representative.
- Repair under this guarantee does not extend the original expiry date. The guarantee on any replacement parts or product ends at the original expiry date.
- For shower fittings or consumable items we reserve the right to supply replacement parts only.

The guarantee does not cover:

- Call out charges for non product faults (such as damage or performance issues arising from incorrect installation, improper use, inappropriate cleaning, lack of maintenance, build up of limescale, frost damage, chemical attack, corrosion, system debris or blocked filters) or where no fault has been found with the product.
- Water or electrical supply, waste and isolation issues.
- Routine maintenance or replacement parts to comply with the requirements of Building / Plumbing / Electrical Standards or Schemes.
- Compensation for loss of use of the product or consequential or indirect loss of any kind.
- Damage or defects caused if the product is repaired or modified by persons not authorised by us or our appointed representative.
- Accidental or wilful damage.
- Products purchased ex-showroom display.
- Disinfection or descaling to reduce bacterial growth or contamination.

What to do if something goes wrong

If your product is not working correctly please refer to this manual or the Mira website for fault diagnosis and to check that it is installed and commissioned in accordance with our instructions. If this does not resolve the issue, our Customer Services team are here to help get you back up and running. To help us solve your problem quickly, please have your product name, power rating (if applicable) and date of purchase to hand.

Visit www.mirashowers.co.uk

Visit our website to register your guarantee, book a service visit, diagnose faults and purchase products.

Spares and Accessories

We stock a full range of spare parts and fittings and are all available to purchase either online or over the phone. Our online spare parts selector tool will help you quickly and easily identify the spare part for your product.

Visit www.mirashowers.co.uk/parts-accessories

Replacements and Repairs

In the unlikely event that your product needs a repair, our nationwide repairs and installation team are here to help. You can book a convenient date and time online.



Scan the QR code to book a service visit now or visit www.mirashowers.co.uk/support/repair-services/repair-service

We also offer a comprehensive replacement service for when your product needs a little refresh, visit our website or contact our team for more information on our replacement services.

Help us improve

Your experience is important to us and your review (whether good, bad or otherwise) will be posted on Trustpilot.com immediately to help other people make more informed decisions.

Visit uk.trustpilot.com/review/www.mirashowers.co.uk

Need to get in touch?

UK

T: 0800 001 4040
E: askus@mirashowers.com
www.mirashowers.co.uk

Eire

T: 01 531 9337
E: customerserviceire@mirashowers.com
www.mirashowers.ie

Mira is a registered trade mark of Kohler Mira Limited.

The company reserves the right to alter product specifications without notice.

Registered Office:
Cromwell Road,
Cheltenham,
Gloucestershire
GL52 5EP

EU Importer address:
Kohler France S.A.S.
30 Boulevard de la Bastille,
75012 Paris,
France



mira
SHOWERS