

Mira Select Flex

Mixers Product Category



SUITABLE FOR ALL SYSTEMS



5 YEAR WARRANTY

Inclusively designed. Intelligently engineered. Mira Select thermostatic mixer showers feature an ultra-ergonomic and RNIB certified visually optimised design for ultimate accessibility.

Product Information

Description	Colour	Product No.
Mira Select Flex	High Contrast	N8588

Features & Benefits

Temperature control

TMV3 approved product

Thermostatic temperature stability

Maximum temperature setting for increased safety

Easy to fit

Quickly and easily fits onto reversed inlet supplies

Multi-Fit fits over 110-155 mm pipe centres

Suitable for replacement of a previous mixer valve using existing olives, compression nuts and pipe concealing plates

Suitable for rear fed 15 mm compression connections (not suitable for 3/4" Bar valve replacement)

Valve shroud design covers all previous fixing holes and water entry points

Easy to service

Long-life filters and replaceable cartridge

Removable spray plate for quick and easy cleaning

For your customer

Designed in conjunction with the RNIB

Separate flow and temperature control levers for ease of use

Push button on/off

Audible click in response to temperature adjustment

Extra-long slide bar offers flexible showering including for seated users

Large wall-mounted soap dish with removeable tray

Mira Cool Shield™ technology prevents heat transferring to exposed surface of the shower, meaning Select is always safe to touch



Product Specification

Tech Details

Temperature Control

Control type: Thermostatic

Installation

Water entry points: Rear only

Inlet connections: 15 mm compression

Outlet connections: 1/2" BSP male flat face

Reversed inlets supported. Remove valve body from manifold, rotate then refit.

Supply Conditions (hot and cold)

Cold water range: 5 - 25°C

Hot water range: 55 - 85°C (operating; 60 - 65°C recommended)

Minimum maintained pressure: 0.1 bar (1 metre head)

Maximum maintained pressure: 5 bar (50 metre head)

Maximum static pressure: 10 bar (100 metre head)

Performance

Flow rate at handset: 7.1 L/min at 0.5 bar

Fitted with an 11 L/min flow regulator

Temperature stability: +/- 2°C

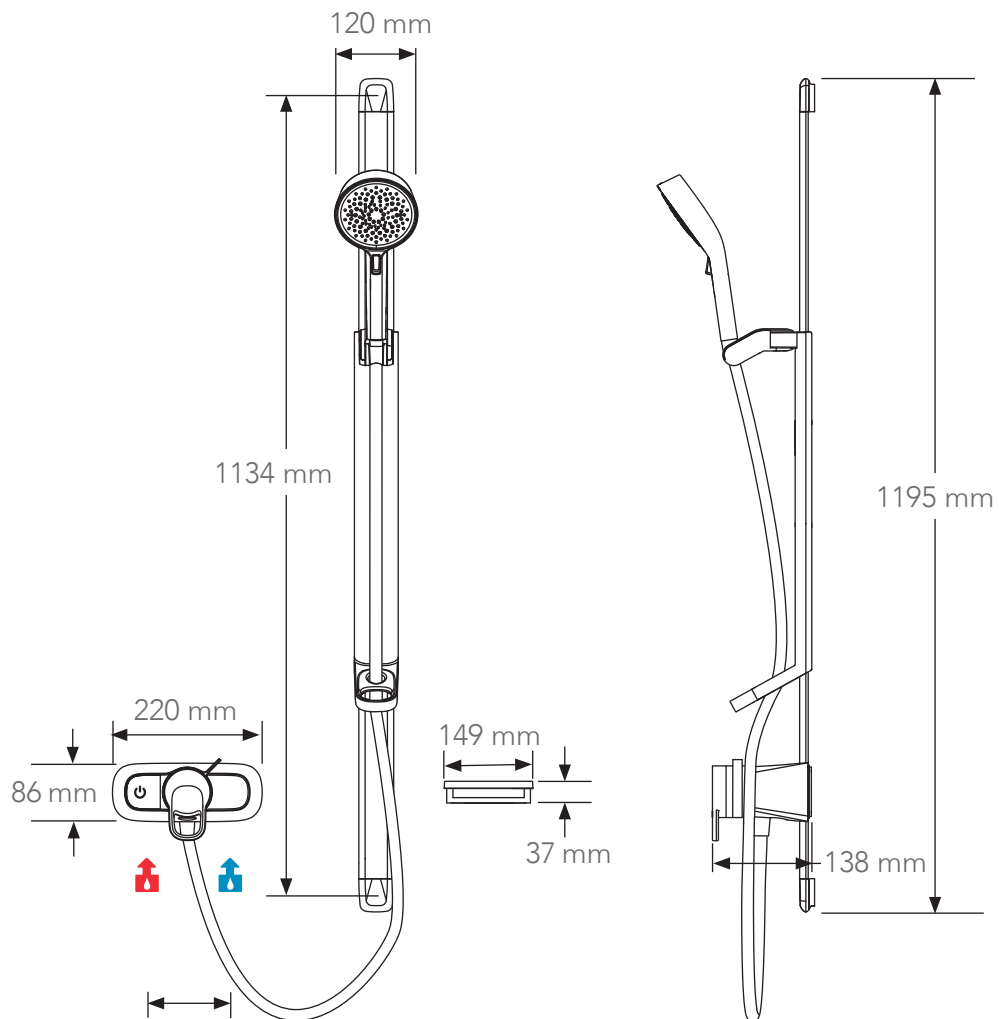
Safety Features

Automatic shutdown: Within 2 seconds

Factory set to safe max temp of 41°C

Adjustable maximum temperature for on site conditions

Dimensions



110 - 155 mm Adjustable
Pipe Centres - Rear Entry
Pipework Only