

The Shower Trolley Range

Feature packed
mobile shower
trolleys



Welcome to Wealden Rehab



Simon Campbell
Managing Director

Over the years we have dealt with many professionals, working with users of showering and bathing equipment across the UK. One thing we have heard many times over is the importance of shower trolleys that are robust and carer friendly – they should be comfortable and have a good platform size to enable turning and aid personal hygiene routines.

The Barella, Wave and Coral shower trolley ranges have been designed to combine all of these important features, and provide an ever-expanding collection of trolley sizes and options to bring you the perfect solution for shower trolley bathing.

We can demonstrate that our products will perform in the most demanding of environments. Then, when you're ready to order you can take advantage of our quick delivery service on the most popular models in the range, from high stock levels in our central warehouse.

Whatever your requirements, contact one of our product advisors. You can be sure that when you partner with Wealden Rehab you will get a solution to be proud of. We look forward to hearing from you!



Care Equipment Excellence

Innovative, feature packed Shower Trolleys

Introducing a collection of Shower Trolleys, designed with a focus on user comfort and priced to meet a range of budgets.

Premium



Barella

Built to last, the **premium** Barella Shower trolley offers exceptional usability and is suitable for users with even the most complex needs. With a choice of frame sizes from infancy to adulthood, the Barella is ideal for a variety of users and environments and the shower trolley of choice in many care settings including leisure centres, care homes, and hospitals.

Innovative



Wave

This **innovative** profiling shower trolley brings a new level of support and flexibility to those needing bathing care. Featuring fully electric platform profiling, you can optimise the position of the user at the touch of a button. The handset also controls the height adjustment and allows platform tilt both in Trendelenburg and anti-Trendelenburg directions.

Cost-Efficient



Coral

The **cost-efficient** yet versatile Coral range is ideal for multi-user spaces. There is a choice of electric or hydraulic models for height adjustment and the Coral Maxi shower trolley provides a very generous platform space. With many features as standard, the Coral evidently presents an exceptional shower trolley for its class.

Barella Paediatric

A feature packed
mobile shower trolley



Based around a smaller chassis, and a reduced weight capacity, the Paediatric model is aimed to accommodate children and small adults within a compact footprint.

The Paediatric trolley is available with either hydraulic or electric adjustment, and can be equipped with an elevating backrest.

Technical Information

Height adjustment Control	Hydraulic/Electric
Maximum Safe Working Load	150kg
Trolley Weight	80kg
Castor diameter	125mm
Castor Locking System	Individual
Directional Locking Castor	Standard
Folding side rails	Standard
Trendelenburg Platform Tilt to 12°	Standard
Water Drainage Platform Tilt to 5°	Standard
Drain Hose Length	1500mm

Order Codes

With rising backrest

Hydraulic

BP31D1121

Electric

BP31C1121

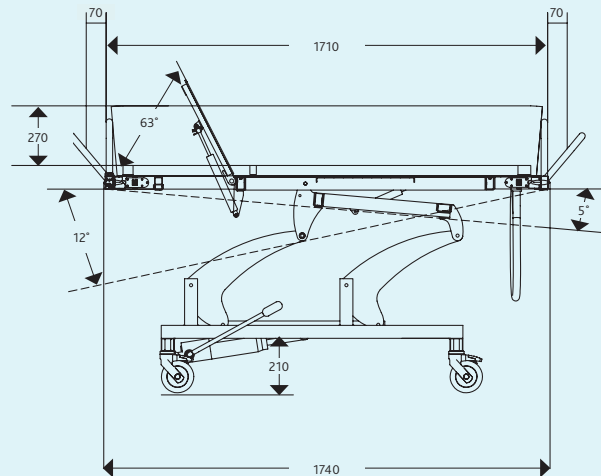
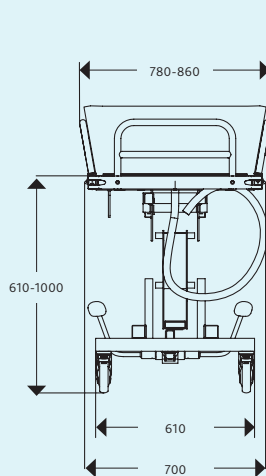
Accessories

- BH733 Spare battery pack, 24v, rechargeable
- BH744 Battery charger, wall-mounted
- B2WP Wedge Pillow
- B2SCP Semi-cylindrical Pillow
- B2RH Replacement Handset



The backrest tilt can be adjusted up to a 63° angle via ergonomic control.

Key Dimensions (in mm)



Specification Choices

HEIGHT ADJUSTMENT

- Hydraulic, with double pedal
- Electric, with handset
- Electric, with pedal

PLATFORM

- Inside width 600mm
- Outside width 700mm

LENGTH EXTENSION

- Fixed rails on head and foot end
- Head end rail folding
- Rails on head and foot end folding

BACKREST ADJUSTMENT

- Flat Platform
- Rising Backrest

BRAKING SYSTEM

- Individual on all castors, 125mm diameter

Barella Adult

A feature packed mobile shower trolley



Our most popular model, the Adult Barella's robust structure is built for the most challenging environments. The platform size and steadfast functionality will enable easy ward access and smooth transfers.

An increased weight capacity of 180kg makes this an excellent trolley for everyday showering. Choose central locking castors for increased ease of use.

Wide Top version also available

Instead of having to opt for the bariatric version, this Barella has the standard adult base with a wide top for additional room. See page 10.

Technical Information

Height adjustment Control	Hydraulic/Electric
Maximum Safe Working Load	180kg
Trolley Weight	106kg
Castor diameter	125mm / 150mm
Castor Locking System	Individual / Central
Directional Locking Castor	Standard
Folding side rails	Standard
Trendelenburg Platform Tilt to 12°	Standard
Water Drainage Platform Tilt to 5°	Standard
Drain Hose Length	1500mm

Order Codes

	Hydraulic	Electric
Standard	BR32C2111	BR32D2111
Cent locking/rising backrest	BR32C2122	BR32D2122
Wide	BR32C3122	BR32D3122

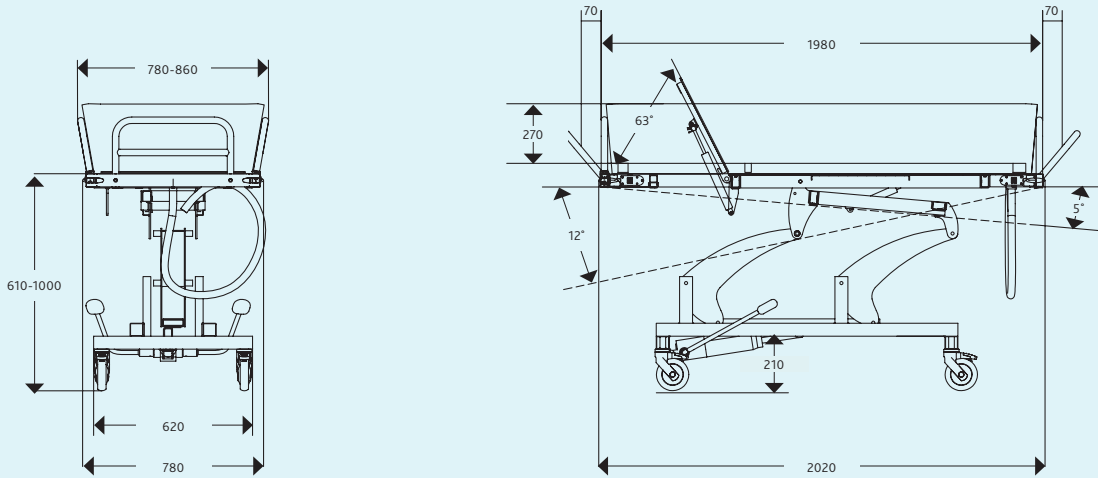
Accessories

- BH733 Spare battery pack, 24v, rechargeable
- BH744 Battery charger, wall-mounted
- B2WP Wedge Pillow
- B2SCP Semi-cylindrical Pillow
- B2RH Replacement Handset



The rail width can be reduced to 780mm.

Key Dimensions (in mm)



Specification Choices

HEIGHT ADJUSTMENT

- Hydraulic, with double pedal
- Electric, with handset
- Electric, with pedal

PLATFORM

- Inside width 680mm
- Outside width 780mm

LENGTH EXTENSION

- Fixed rails on head and foot end
- Head end rail folding
- Rails on head and foot end folding

BACKREST ADJUSTMENT

- Flat Platform
- Rising Backrest

BRAKING SYSTEM

- Individual on all castors, 125mm diameter
- Central-braking with castors, 150mm diameter

Barella Bariatric

A heavy duty feature packed shower trolley



For the more substantial user, the Heavy Duty chassis delivers real performance. Twin electric actuators combine to provide effortless lifting and platform tilt. A detachable battery pack provides power whilst the trolley is moved around.

A wide platform top gives adequate space for hygiene and handling, and the adjustable platform tilt provides extra comfort for the user enabling safe transfers, but also greater functional independence.

Technical Information

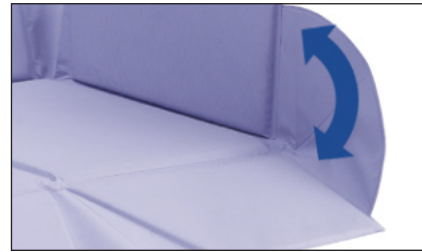
Height adjustment Control	Battery
Maximum Safe Working Load	225kg
Trolley Weight	106kg
Castor diameter	150mm
Castor Locking System	Central
Directional Locking Castor	Standard
Folding side rails	Standard
Trendelenburg Platform Tilt to 12°	Standard
Water Drainage Platform Tilt to 12°	Standard
Drain Hose Length	1500mm
Power supply	220v, 500Ma to battery charger
Electrical Safety	Onboard circuit - 24v

Order Code

BB33

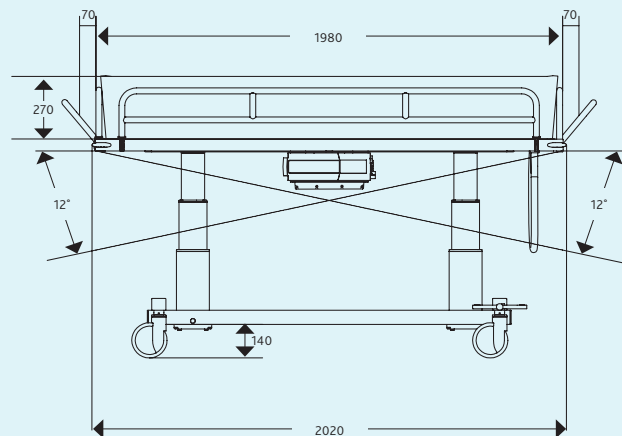
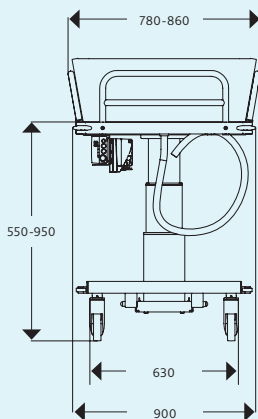
Accessories

- BH733 Spare battery pack, 24v, rechargeable
- BH744 Battery charger, wall-mounted
- B2WP Wedge Pillow
- B2SCP Semi-cylindrical Pillow
- B2RH Replacement Handset



Rails can be dropped with one hand.
Mattress height is 270mm.

Key Dimensions (in mm)



Specification Choices

HEIGHT ADJUSTMENT

- Electric, with handset

PLATFORM

- Inside width 800mm
- Outside width 900mm

LENGTH EXTENSION

- Fixed rails on head and foot end
- Head end rail folding
- Rails on head and foot end folding

BACKREST ADJUSTMENT

- Non-tilting

BRAKING SYSTEM

- Central-braking with castors, 150mm diameter

Barella Wide Top

A spacious wide top shower trolley



An excellent design which offers multiple safety features, a robust construction and optimum accessibility of the user to promote access for person cares. This shower trolley allows even the most complex of people to be showered safely with the support of carers.

Instead of having to opt for the bariatric version of the Barella, this model has the

standard adult base with the wide top. The wider top promotes space for rolling of the user and access to complete personal procedures.

It also provides more space for users with cognitive or behavioural issues who may become anxious when situated in an enclosed area.

Technical Information

Height adjustment control	Hydraulic / Electric
Maximum Safe Working Load	180kg
Trolley weight	106g
Castor diameter	150mm
Castor Locking System	Individual / Central
Directional locking castor	Standard
Folding side rails	Standard
Rail height	270mm
Trendelenburg Platform Tilt	12°
Anti Trendelenburg Platform Tilt	5°
Drain hose length	1500mm
Power supply	220v, 500Ma to Battery Charger
Electrical safety	Onboard circuit - 24v

Order Codes

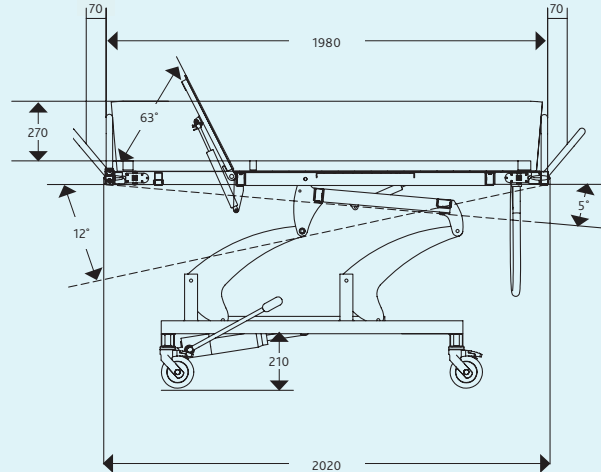
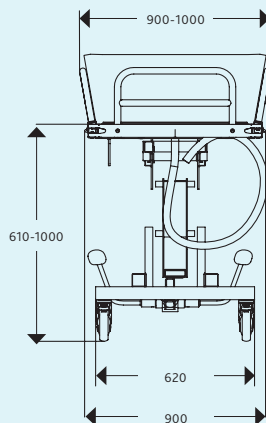
Hydraulic BR32C3122 **Electric** BR32D3122

Accessories

- BH733 Spare battery pack, 24v, rechargeable
- BH744 Battery charger, wall-mounted
- B2WP Wedge Pillow
- B2SCP Semi-cylindrical Pillow
- B2RH Replacement Handset



Key Dimensions (in mm)



Specification Choices

HEIGHT ADJUSTMENT

- Height adjustment
- Electric, with handset or hydraulic

PLATFORM

- Inside width 800mm
- Outside width 900mm

BRAKING SYSTEM

- Central-braking with 150mm diameter castors

BACKREST ADJUSTMENT

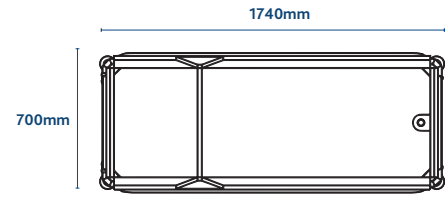
- Flat Platform
- Rising Backrest

Barella Platform Size

Paediatric

Inside width 600mm

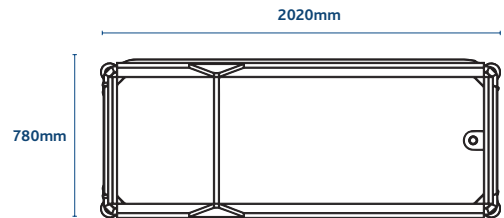
For use especially with children up to 1600mm tall.



Adult

Inside width 680mm

For users up to 1880mm tall.

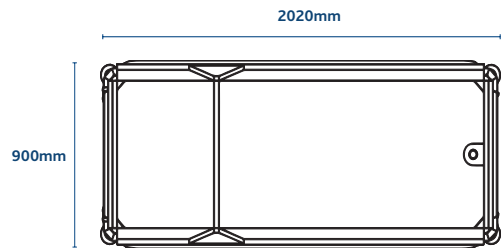


Bariatric and Wide Top

Inside width 800mm

For larger users up to 1880mm tall.

*This wide platform is also available on the Adult Barella



Height Adjustment

Adjusting the shower trolley platform

The shower trolley height can be adjusted via electric actuator or hydraulic piston.

The electric version can be adjusted using a pedal control or a handset.

Electric versions are supplied with a battery charger



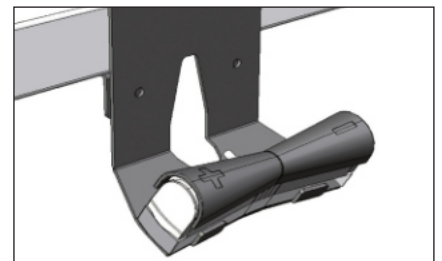
Hydraulic, with double pedal

Adjustment via hydraulic piston, with pedals on both sides of the trolley.



Electric, with handset

In this case, the carer can adjust the height electrically using a handset.



Electric, with pedal

This is an alternative option for electric height adjustment. The control is securely placed in a support, which can be attached at the base of the structure if so required by the user. The control can also be used as handset, or removed from its support and attached wherever needed using the magnet.

Angle Adjustable Backrest

Angle-adjustable backrest

This helps give greater comfort to both the user and carer during washing, as it allows to change the patient's position. The backrest can be easily raised by the carer via gas spring and ergonomic control.

A. Non-adjustable backrest

The patient remains in a supine (flat) position inside the mattress. The patient's head can be lifted using a wedge pillow, available as an accessory.

B. Adjustable backrest

The backrest can be raised to a 63° angle. The backrest can be locked in any intermediate position. A separate accessory can also be requested to provide greater head support.



Extended Head Support

An optional headrest extension will support the user's head when the backrest is elevated.

Castor Choice

A. Castors with 125mm diameter, individually braked

Castors have individual brakes, and one castor also has a "directional lock" function.



Castor with individual brake



Castor with directional lock

B. Castors with 150mm diameter, central braking system

These castors have a larger diameter with a central braking system and directional lock function. These functions can be operated from either side of the trolley. one castor also has a "directional lock" function.

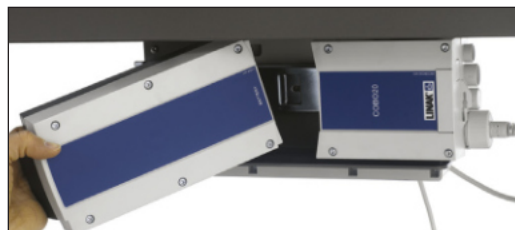


Central braking activated



Directional lock activated

Accessories



BH733 – Spare battery

This is a rechargeable, 24V spare battery recommended to prevent any interruptions during use.



B2WP – Wedge pillow

Pillow with 15° tilt and dimensions mm 550 x 550 x 140 1/2h.



B2SCP – Semi-cylindrical pillow

Dimensions: 550 x 150 x 70 mm

Wave Profiling Trolley

The fully electric profiling shower trolley



The Wave Shower Trolley features fully electric platform profiling – you can optimise the position of the user at the touch of a button. The handset also controls the height adjustment and allows platform tilt both in Trendelenburg and anti-Trendelenburg directions.

A favourite feature of the Wave is the generous platform width, measuring

1900mm x 650mm internally (2130mm x 810mm external), which will accommodate most users. You can safely lock all castors from one pedal, which gives excellent stability to this sturdy trolley even when working close to its 250kg weight capacity.

The Wave trolley is a premium solution for bathing in multi-user environments, yet designed to look good in the home.

Technical Information

Height adjustment control	Electric
Maximum Safe Working Load	250kg
Trolley weight	105kg
Castor diameter	150mm
Castor Locking System	Central
Directional locking castor	Standard
Folding side rails	Standard
Trendelenburg Platform Tilt	10°
Backrest adjustment	52°
Drain hose length	700mm to 2000mm

Specification Choices

HEIGHT ADJUSTMENT

- Electric

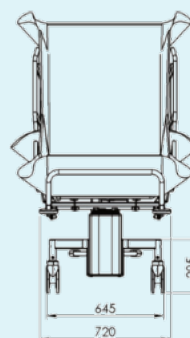
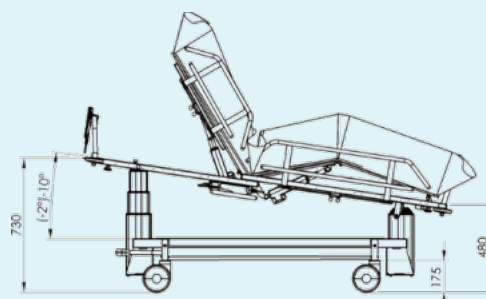
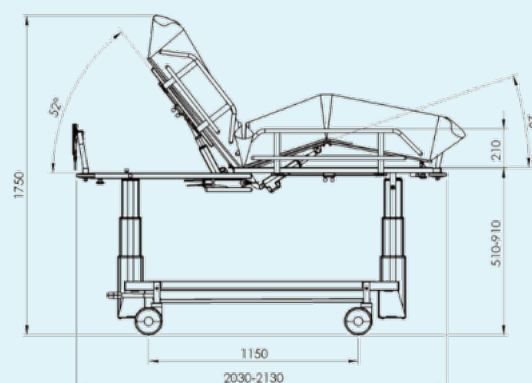
The carer can adjust the height electrically using a handset or using the foot pedal.

BRAKING SYSTEM

- Individual-braking with 150mm diameter castors

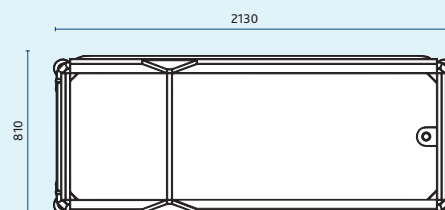


Key Dimensions (in mm)



Platform size

Internal: 1900mm x 650mm
External: 2130mm x 810mm



Order Code

N7241

Coral

Height adjustable shower trolley



The Coral is a versatile trolley with a safe working load of 170kg. It is available in a choice of either hydraulic or electrical height adjustment.

Coral offers a host of standard features including central braking system, safety siderails and a stable platform which has a padded mattress, plug and drainage hose.

The external dimensions of the Coral are 2085mm x 810mm, giving a usable platform dimension of 1900mm x 650mm.

This model is supplied with a fixed angle platform, which is angled just 3 degrees to allow effective drainage. The liner is strong and comes with high sides (270mm) for additional protection, and has inbuilt channels to help the flow of water.

Technical Information

Height adjustment control	Hydraulic / Electric
Maximum Safe Working Load	200kg
Trolley weight	90kg / 92kg
Castor diameter	150mm
Castor Locking System	Central
Directional locking castor	Standard
Folding side rails	Standard
Rail height	270mm
Drain hose length	700mm to 2000mm

Specification Choices

HEIGHT ADJUSTMENT

- Hydraulic
- Electric with handset

The carer can adjust the height electrically using a handset or hydraulically using the foot pedal.

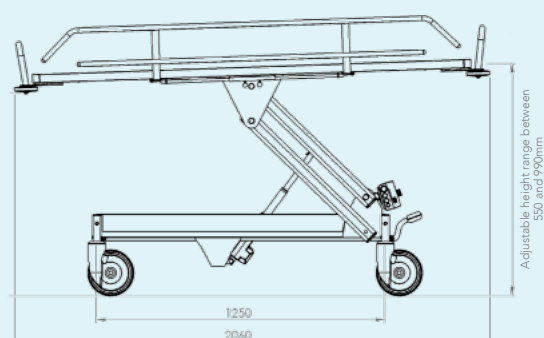
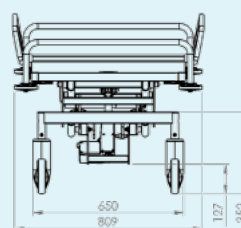
BRAKING SYSTEM

- Central-braking with 150mm diameter castors

Order Codes

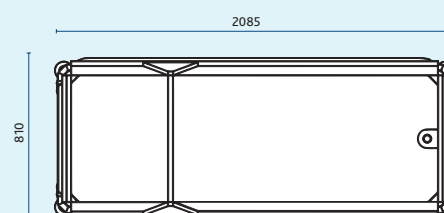
Hydraulic N7239 Electric N7237

Key Dimensions (in mm)



Platform size

Internal: 1900mm x 650mm
External: 2085mm x 810mm



Coral Maxi

Generous size platform shower trolley



The Coral Maxi Shower Trolley - offering the most generous usable platform size alongside a 250kg capacity

The Coral Maxi shower trolley is a new design, offering our most generous size platform - measuring 900mm internally for width which provides a great surface for rolling and bathing. Adjusted for height electrically through the handset control, the Coral Maxi is a very stable trolley

delivering great comfort to the user. It can be used in multi-user environments, as well as looking great in the home setting.

The frame is steel construction with an antibacterial hard wearing paint finish, whilst the siderails are constructed of stainless steel.

Draining the trolley is very easy, through the extendable flexible drain hose, which at 2000mm maximum length can be attached to a floor drain, or to a sink or toilet.

Technical Information

Height adjustment control	Hydraulic / Electric
Maximum Safe Working Load	250kg
Trolley weight	110kg / 112kg
Castor diameter	150mm
Castor Locking System	Central
Directional locking castor	Standard
Folding side rails	Standard
Mattress height on (siderails)	270mm
Drain hose length	700mm to 2000mm

Specification Choices

HEIGHT ADJUSTMENT

- Electric with handset or hydraulic

The carer can adjust the height electrically using a handset or hydraulically using the foot pedal.

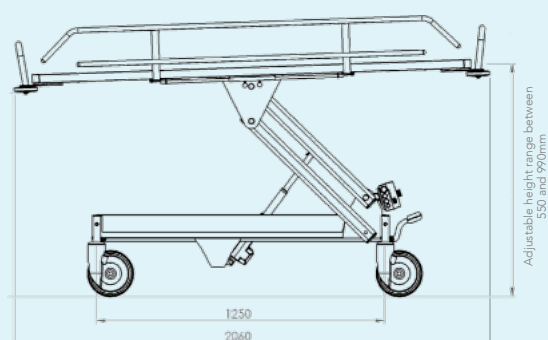
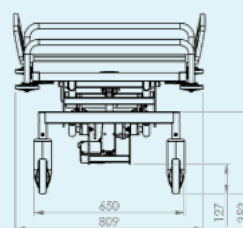
BRAKING SYSTEM

- Individual-braking with 150mm diameter castors

Order Codes

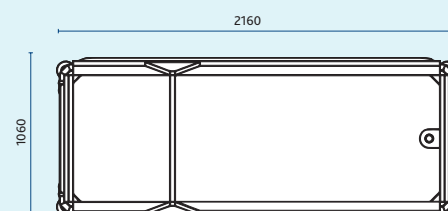
Hydraulic N7209 Electric N7208

Key Dimensions (in mm)



Platform size

Internal: 2000mm x 900mm
External: 2160mm x 1060mm





01634 813388
hello@wealdenrehab.com
www.wealdenrehab.com



113 Hopewell Drive, Chatham, Kent ME5 7NP | Wealden Rehab is a trading name of Wealden Rehab Ltd

